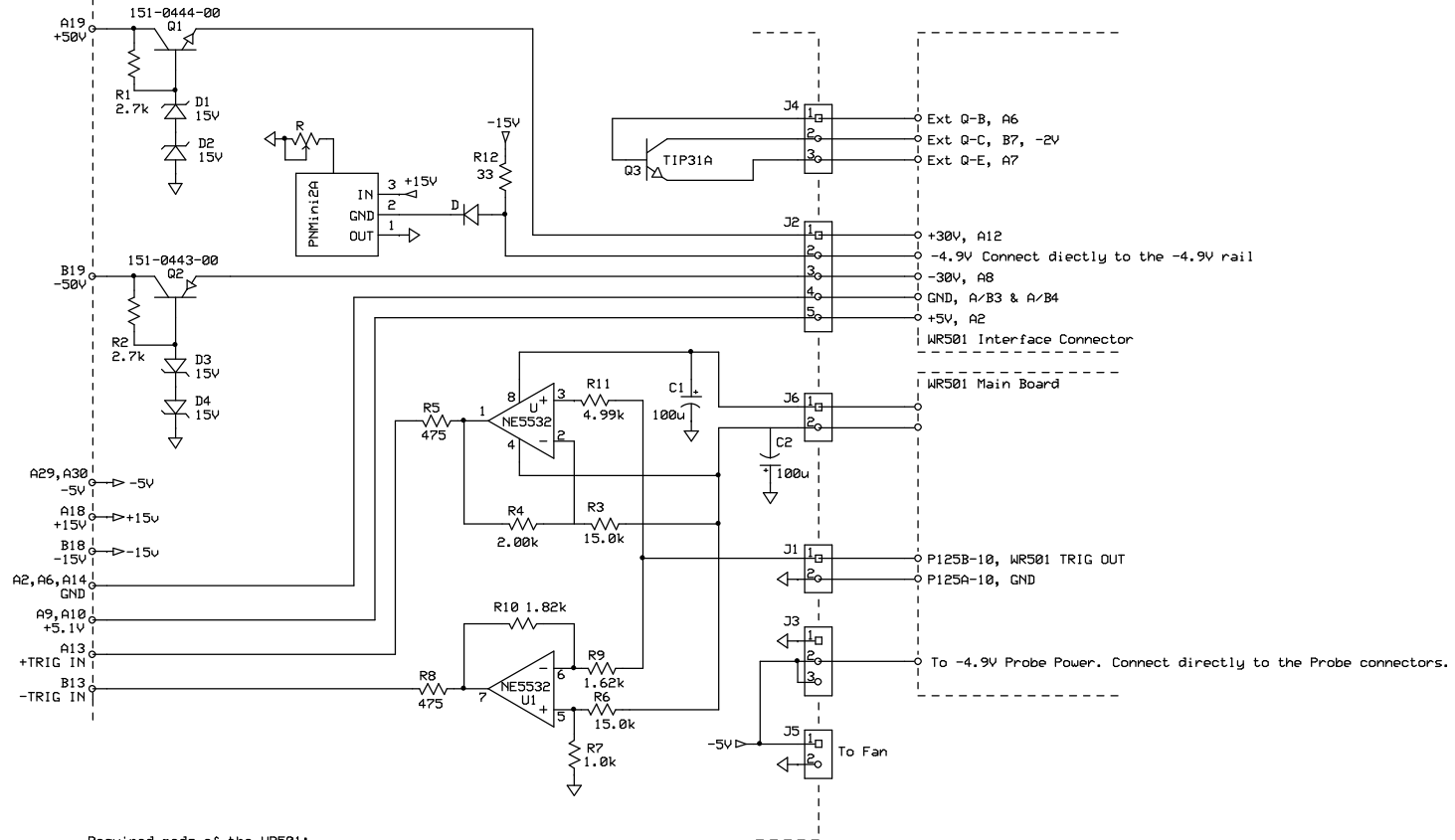


7k/11k Interface Connector Special Interface



Required mods of the WR501:
 Lift one end of VR630, R632, & L644.
 Lift one end of R606 and one end of R608. Short 10A and 11B on the interface connector.
 Cut -4.9V circuitboard runs to the Probe connectors.
 On the main board two caps has to be added if the run was cut between the caps and the connector.