
TEK PRODUCT
MODIFICATION

Part No. 050-2927-00
Product Group 47

M75976

050 KIT

Cabinet Frame Section
Replacement

DSA601 B010100-B040527

DSA601A B010100-B050217

DSA602 B010100-B041393

DSA602A B010100-B050662

This kit contains parts and instructions to replace the right and left Frame Sections. The new Frame Sections do not have carrying handles. Both Frame Sections should be replaced with the new Frame Sections provided in this kit.

14 MAY 1992

Copyright © Tektronix, Inc., 1992. All rights reserved. Tektronix products are covered by U.S. and foreign patents, issued and pending. The following are registered trademarks: TEKTRONIX, TEK, TEKPROBE, SCOPE-MOBILE.

Tektronix[®]
COMMITTED TO EXCELLENCE

050-2927-00

Kit Parts List:

Quantity	Part Number	Description
2 ea	426-2177-01	Frame sect, cab: Right/Left, aluminum

Minimum Tool Requirements:

Tool	Part Number
Bit-driver	General Tool, pn 620-700
Flat-tip screwdriver	
Torx head screwdriver tip, T-10	General Tool, pn 37157-0
Torx head screwdriver tip, T-20	General Tool, pn 37161-0
Torx head screwdriver tip, T-25	General Tool, pn 37163-0

Instructions

WARNING

Dangerous shock hazards may be exposed when the instrument covers are removed. Before proceeding, ensure the mainframe power switch is in the off position. Then, disconnect the instrument from the power source. Disassembly should only be attempted by qualified service personnel.

NOTE

These instructions assume a certain familiarity with the instrument. If further details are required for disassembly or assembly of the instrument, refer to the maintenance section of the appropriate service manual.

Throughout these instructions, the left and right sides of the instrument refer to the left and right sides when facing the front of the instrument.

Cabinet and Frame Section Removal

- Step 1:** Remove any plug-ins from the instrument.
- Step 2:** Disconnect all cables from the rear panel connectors, noting locations for later reassembly.
- Step 3:** Set the instrument on a flat, smooth surface, so that it is resting on its topside and the bottom of the instrument is facing up.
- Step 4:** Using a flat tip screwdriver, turn the four (4) latch screws 1/4 turn counterclockwise to loosen the bottom cover, and remove it from the instrument.
- Step 5:** Turn the instrument over so that the topside is facing up and the front panel is facing forward.
- Step 6:** Using a flat tip screwdriver, turn the four (4) latch screws 1/4 turn counterclockwise to loosen the top cover, and remove the cover from the instrument.
- Step 7:** Turn the instrument so that the left side of the instrument is facing forward.

- Step 8:** Using a T-20 Torx tip screwdriver, remove the four (4) screws from the front and rear decorative trim covers on the left side of the instrument, and then remove the trim covers.
- Step 9:** Using a T-10 Torx tip screwdriver, remove the two (2) screws securing the frame section to the right side of the instrument.
- Step 10:** Using a T-25 Torx tip screwdriver, remove the two (2) screws from the frame section (the piece with the handle on it) on the left side of the instrument, and remove and discard the frame section.
- Step 11:** Turn the instrument so that the right side of the instrument is facing forward.
- Step 12:** Using a T-20 Torx tip screwdriver, remove the four (4) screws from the front and rear decorative trim covers on the right side of the instrument, and then remove the trim covers.
- Step 13:** Using a T-10 Torx tip screwdriver, remove the two (2) screws securing the frame section to the right side of the instrument.
- Step 14:** Using a T-25 Torx tip screwdriver, remove the two (2) screws from the frame section (the piece with the handle on it) on the right side of the instrument, and remove and discard the frame section.

Cabinet and Frame Section Reassembly

- Step 1:** Install the new frame sections (provided in this kit) using the Torx drive screws removed in previous steps.
- Step 2:** Replace the trim covers using the Torx drive screws removed in previous steps.
- Step 3:** Replace the top and bottom cabinet covers.

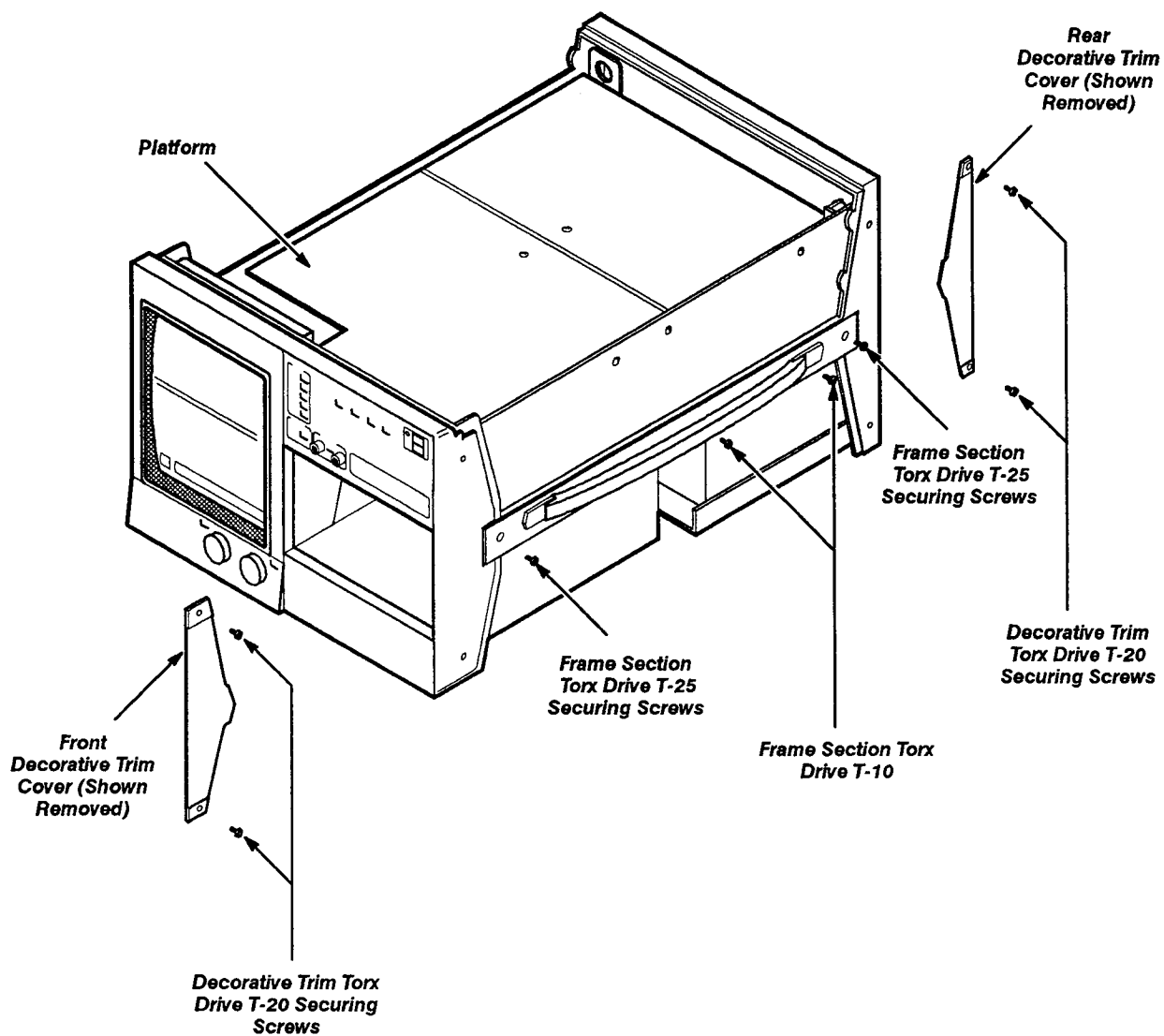


Figure 1: Cabinet Frame Section Removal.

