



050-2345-00

M65270

STORAGE BATTERY REPLACEMENT

For the following TEKTRONIX® instruments:

1502 Serial Numbers - ALL
1503 Serial Numbers - ALL

Storage Battery, pn 146-0065-00, replaces storage battery, pn 146-0018-01, which is no longer available. The new storage battery necessitates replacement of the battery retaining clamps.

NOTE

If this kit has been installed, disregard the instructions and install the storage battery, provided in this kit, as a direct replacement.

KIT PARTS LIST:

Ckt. No.	Quantity	Part Number	Description
----	1 EA	146-0065-00	BATTERY, DRY: 1.2V, 200MA, D-CELL
----	2 EA	343-0349-01	CLAMP, BAT RTNG: W/HOLES, DELRIN
----	1 EA	-----	LABEL, IDENT

INSTRUCTIONS:

() 1. Remove the battery pack from the instrument.

The numbers in brackets [] in the following procedure, refer to the circled numbers in figure 1.

- () 2. Remove the six screws [5, 6] from the front and the four screws [9] at the rear of the instrument.
- () 3. Remove the front panel [3] and the aluminum fuse shield [8].
- () 4. Remove the four screws [12] securing the battery retaining clamps [10] and separate the batteries and the battery retaining clamps [10].
- () 5. Transfer the metallic plate [18] the circuit board [16] and interconnecting wiring to the new batteries.
- () 6. Install the new batteries W/ckt bd [16] and metallic plate [18] attached, into one of the battery retaining clamps [10]
- () 7. Install the other battery retaining clamp.
- () 8. Install the aluminum fuse shield [8] and securing screws [9]. Do not tighten the securing screws at this time.
- () 9. Install the metallic plate [18] at the front of the battery pack.
- () 10. Install the upper [20] and lower [15] battery supply heatsinks, the spacer sleeves [14] and securing hardware [11, 12, 13].
- () 11. Install the front panel [3]. Thread the 2 screws [6] in at the bottom of the front panel first. The threads of the battery holder can be easily damaged if the front panel is misaligned with the holes.
- () 12. Install the remaining four front panel securing screws [5].
- () 13. Tighten all securing hardware.
- () 14. Affix the identification label, provided in the kit, to the battery retaining clamp (do not obstruct any holes) to indicate this kit has been installed.

- () 13. Tighten all securing hardware.
- () 14. Affix the identification label, provided in the kit, to the battery retaining clamp (do not obstruct any holes) to indicate this kit has been installed.
- () 15. Install the Battery Pack in the 1502 or 1503 TDR.
- () 16. Verify performance.
- () 17. Correct the Electrical and Mechanical Parts List in the instruction manual to reflect the changes incorporated by this kit.

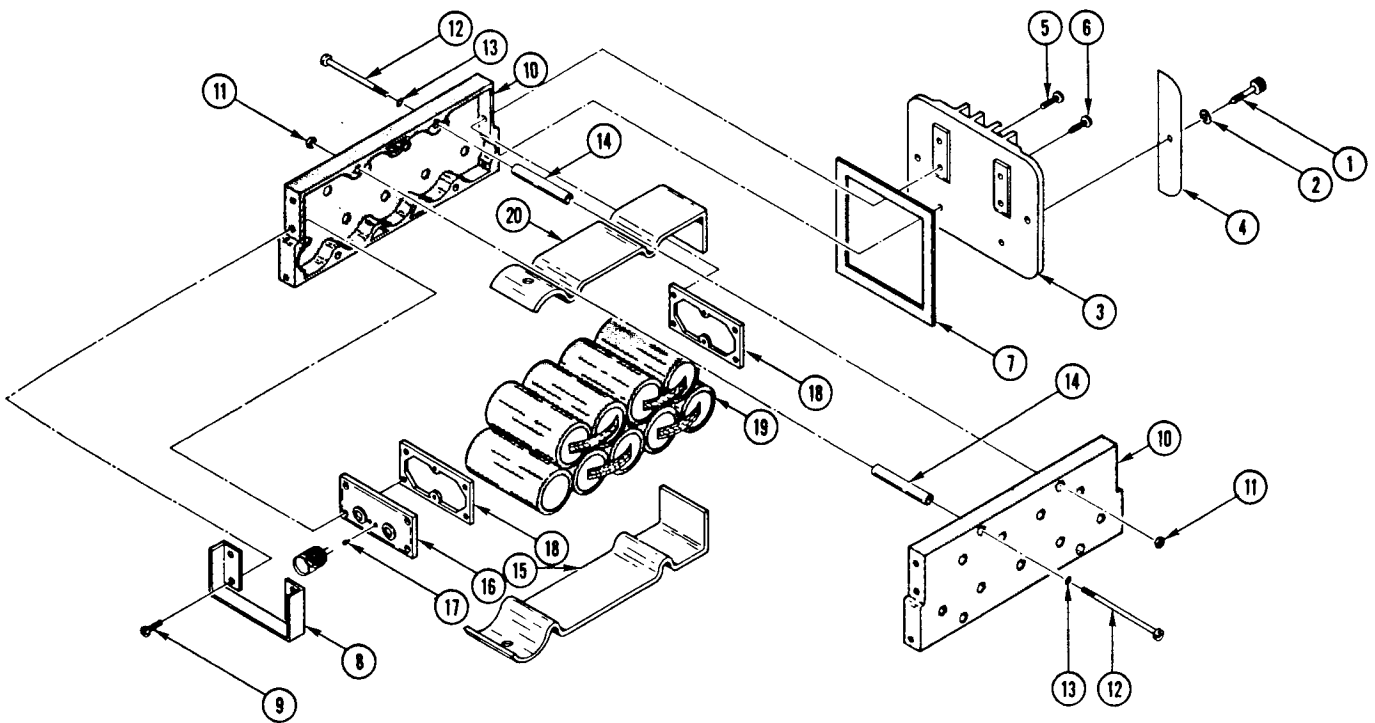


Figure 1. Exploded view of the Battery Pack.