



product modification

050-1077-00

M24251, M33052
M33270, M34461
M39043, M40258

PLUG-IN LATCH ASSEMBLY REPLACEMENT

For the following TEKTRONIX® Plug-Ins:

AF501	SN B01000 - B021069	SC501	SN B01000 - B051759
AM501	SN B01000 - B031999	SC502	SN B01000 - B022399
AM502	SN B01000 - B053579	SG502	SN B01000 - B072369
AM503	SN B01000 - B036697	SG503	SN B01000 - B063069
AM511	SN B01000 - B020209	SG504	SN B01000 - B010569
DC501	SN B01000 - B071539	SW503	SN B01000 - B020829
DC502	SN B01000 - B081989	TG501	SN B01000 - B033149
DC503	SN B01000 - B166789	TR501	SN B01000 - B020281
DC504	SN B01000 - B033829	TR502	SN B01000 - B030642
DC505	SN B01000 - UP	067-0680-00	SN B01000 - B020310
DC505A	SN B01000 - B031829	5A13N	SN B01000 - B039999
DD501	SN B01000 - B021240	5A14N	SN B01000 - B063428
DM501	SN B01000 - B151349	5A15N	SN B01000 - B081087
DM502	SN B01000 - B027629	5A18N	SN B01000 - B106175
FG501	SN B01000 - B128319	5A19N	SN B01000 - B033041
FG502	SN B01000 - B034499	5A20N	SN B01000 - UP
FG503	SN B01000 - B023229	5A21N	SN B01000 - B069999
FG504	SN B01000 - B031174	5A22N	SN B01000 - B054430
LA501	SN B01000 - B021179	5A23N	SN B01000 - B054972
MR501	SN B01000 - UP	5A24N	SN B01000 - B047242
PG501	SN B01000 - B084159	5A26	SN B01000 - B019999
PG502	SN B01000 - B031742	5A45	SN B01000 - B031285
PG505	SN B01000 - B021999	5B10N	SN B01000 - B088662
PG506	SN B01000 - B032479	5B12N	SN B01000 - B065857
PG508	SN B01000 - B021102	5B13N	SN B01000 - B082989
PS501	SN B01000 - B052139	5B31	SN B01000 - B030654
PS502	SN B01000 - UP	5B40	SN B01000 - B032382
PS503	SN B01000 - UP	5B42	SN B01000 - B070000
PS503A	SN B01000 - B025429	5B44	SN B01000 - B030602
PS505	SN B01000 - B021999	5CT1N	SN B01000 - B021566
RG501	SN B01000 - B042869	5L4N	SN B01000 - B061694
		5S14N	SN B01000 - B060451

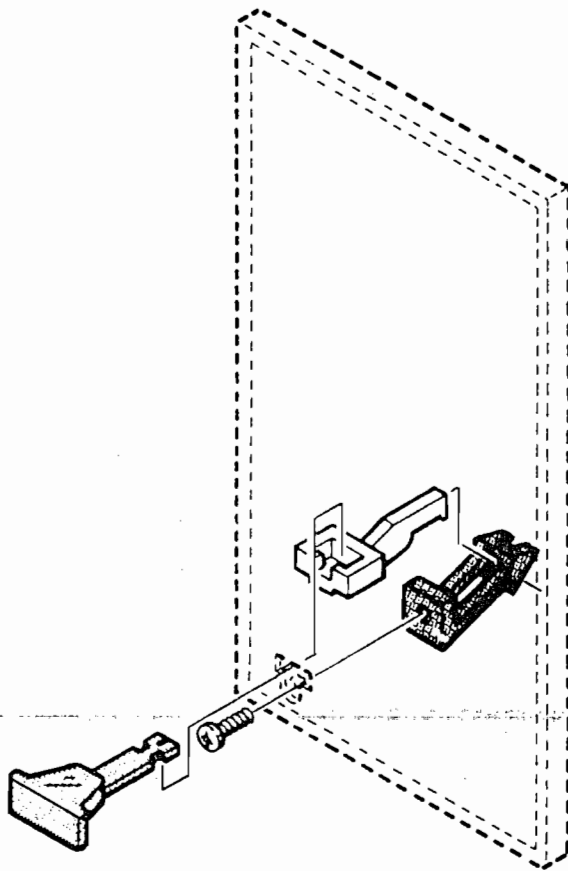
This Parts Replacement Kit contains parts to replace the Plug-In Latch with a new improved type.

NOTE

If the instrument serial number is greater than those listed above, or this kit has already been installed, disregard these instructions, and use any of the new parts as a direct replacement.

KIT PARTS LIST:

Ckt. Number	Quantity	Part Number	Description
	1 EA	105-0718-01	LATCH, RELEASE
	1 EA	105-0719-00	LATCH, RETAINING, PLUG-IN
	1 EA	366-1690-00	KNOB, PLUG-IN LATCH
	1 EA	-----	LABEL, 050-1077-XX



PLUG-IN LATCH ASSEMBLY DETAIL

INSTRUCTIONS:

WARNING

To avoid electric shock hazard, disconnect the instrument from all other electrical equipment and the power source before proceeding.

- () 1. Using a pair of diagonal cutters, cut the latch knob off of the plug-in retainer.
- () 2. Refer to the Maintenance section of your Instruction Manual and perform steps as necessary to remove the front panel.
- () 3. Remove the plug-in retainer latch mounting screw, and the old plug-in retainer latch.
- () 4. Install the new plug-in retainer latch using the screw removed in step 3.
- () 5. Reinstall the front panel by performing the steps shown in the Maintenance section of your Instruction Manual.
- () 6. Refer to the drawing (on page 2) and install the latch release and the plug-in latch knob.
- () 7. For future reference, update the Mechanical Parts List in your Instruction Manual using the parts list on page 2 of these instructions.
- () 8. Remove the protective backing from the 050-1077-XX label, and affix the label to a clean area of the top frame section near the serial number tag.

CM:cm