

M78093

045 KIT

CRT Filter Retainer Upgrade Kit

TDS520 B010100 – B022039
TDS540 B010100 – B024103
TDS620 B010100 – B010234
TDS640 B010100 – B010434
TDS820 B010100 – B010187

This kit contains parts and instructions to replace the CRT Filter Retainer. The new CRT Filter Retainer has an improved seal. This improved seal will prevent dust from depositing between the CRT Filter and the CRT faceplate.

First Printing 31 Aug 1992

Copyright © Tektronix, Inc., 1992. All rights reserved. Tektronix products are covered by U.S. and foreign patents, issued and pending. The following are registered trademarks: TEKTRONIX, TEK, TEKPROBE, and SCOPE-MOBILE.

Tektronix
COMMITTED TO EXCELLENCE

045-0213-00

Kit Parts List:

Quantity	Part Number	Description
1 ea	386-6211-01	Retainer, Filter: 5 x 6 plastic
3 ea	211-0730-00	Scr, assem wshr: 6-32 x 0.375, pnh, T-15
1 ea		Label: 045-kit

Minimum Tool Requirements:**Tool****Part Number**

Scwdriver, magnetic, holder for Torx head tips
Torx head screwdriver tip, T-15
Nylon or Latex gloves
75% isopropyl alcohol

Tektronix, pn 003-0264-00
General Tool, pn 37159

Instructions

WARNING

Dangerous shock hazards may be exposed when the instrument covers are removed. Before proceeding, ensure the instrument power switch is in the off position. Then, disconnect the instrument from the power source. Only qualified service personnel should attempt to install this kit.

NOTE

These instructions assume a certain familiarity with the instrument. If further details are required for disassembly or assembly, refer to the maintenance section of the TDS Service Manual.

CAUTION

Many components within this instrument are extremely susceptible to static-discharge damage. Service the instrument only in a static-free environment. Observe standard handling precautions for static-sensitive devices while installing this kit. Always wear a grounded wrist and foot strap while installing this kit.

- Step 1:** Orient the instrument so its rear is down on the work surface and its bottom is facing you.
- Step 2:** Remove the front cover: Grasp the front cover by its left and right edges and snap it off of the front subpanel. (When reinstalling, align and snap back on.)
- Step 3:** Remove the trim ring and trim ring menu buttons: Grasp the trim ring by its top edge and pry it up and lift it forward to snap it off of the front subpanel.

CAUTION

*DO NOT touch the carbon contact points on the buttons installed in the trim ring. Also, do not touch the contacts on the flex circuit exposed when you remove the trim ring. When handling the key pad **wear nylon or latex gloves**. Do not touch the button contact points, finger oils can degrade the reliability life of the switch contact.*

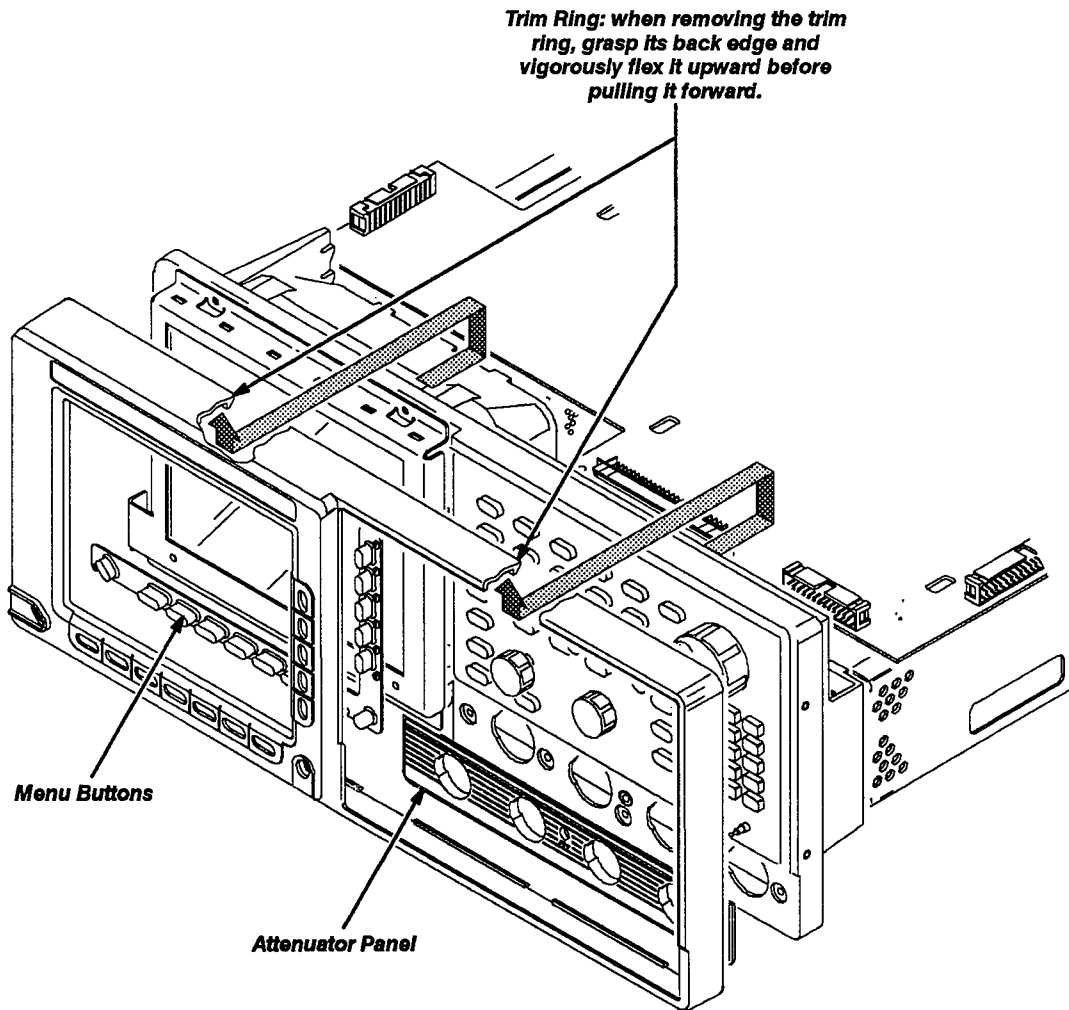


Figure 1: Trim Ring, Trim Ring Menu Buttons, Removal.

- Step 4:** Disconnect J39 flex circuit connector from the backside of the Front Panel assembly. The remaining end is connected to the Display Frame.
- Step 5:** Remove the three (3) Torxdrive screws T-15 that secures the Display Frame assembly to the Front Subpanel. Remove the Display Frame from the Front Subpanel. Discard the Torxdrive screws. New Torxdrive screws are provided in this kit

NOTE

Note the CRT Filter alignment in the Retainer before removal. There should be a small dot (index mark) in the lower right-hand corner on the CRT Filter (with the center tab facing up). This will allow proper alignment when installing the CRT Filter in the new Retainer.

- Step 6:** Remove the CRT Filter Retainer from the Display Frame. Using a flat screwdriver blade or similar tool, press down on the tab in the bottom center of the Display Frame and remove the CRT Filter Retainer.
- Step 7:** Remove the CRT Filter and clean using 75% isopropyl alcohol.



When handling the CRT Filter wear nylon or latex gloves. Do not touch the coated surfaces of the Filter, finger oils can degrade the conductive film.

NOTE

The CRT Filter serves two (2) functions: One side is designed to reduce glare and the other side is designed to reduce EMI emissions.

The index mark (small dot) is on the anti-glare surface of the CRT Filter. This surface (indicated by a small dot) must be positioned towards the Display Frame. The small dot will be in the corner opposite of the flex circuit board on the Display Frame.

The surface that faces the instrument (EMI surface) is coated with an conductive film. By using an ohm meter this surface may be verified. The conductive surface is delicate and can be worn off with excessive rubbing or using abrasive materials. For cleaning use 75% isopropyl alcohol. When removing and installing the CRT Filter hold it by the edges.

- Step 8:** Install the CRT Filter in the new CRT Filter Retainer (provided in this kit). Align the index mark (small dot) as described in the previous note. Refer to Figure 2.

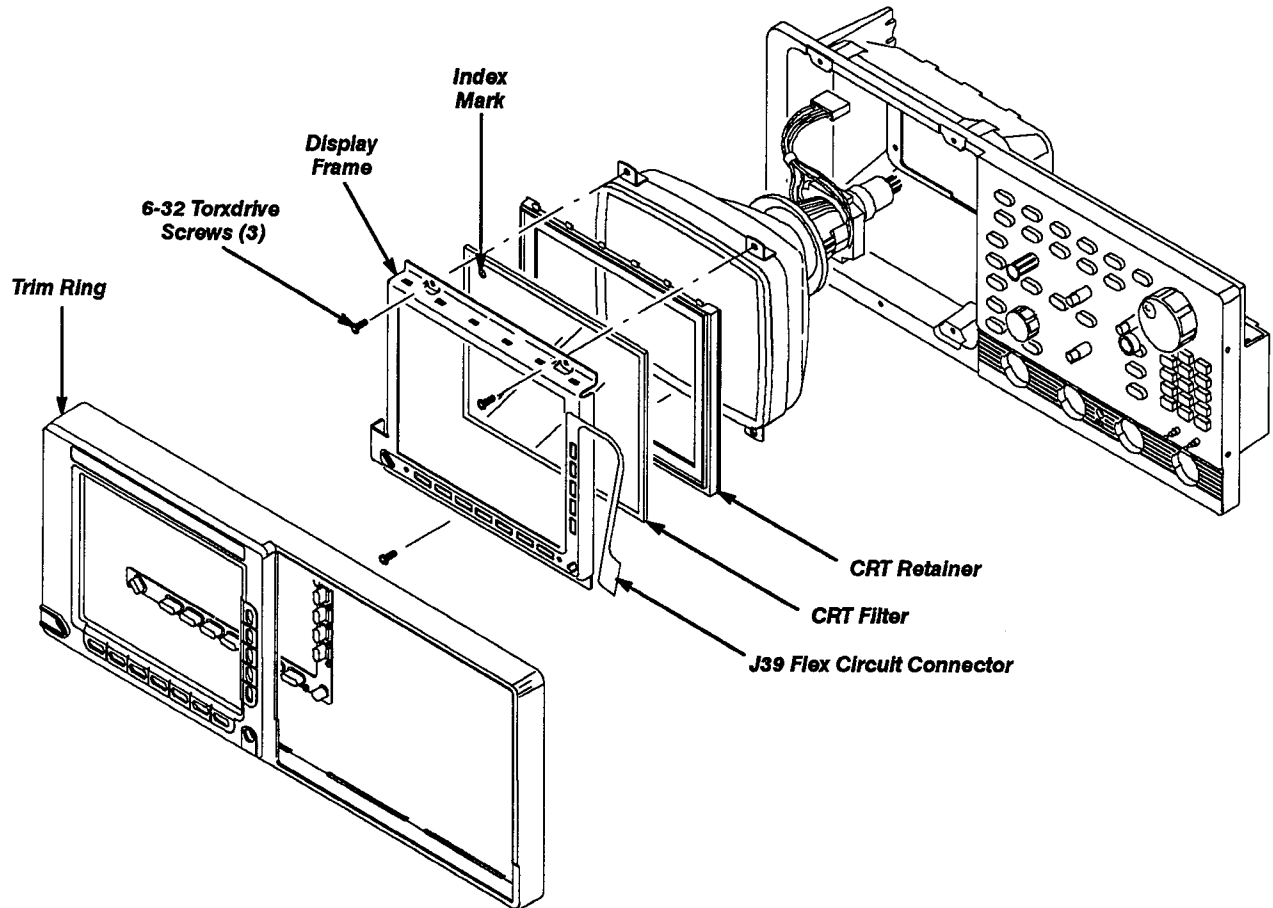


Figure 2: CRT Filter and CRT Filter Retainer assembly.

- Step 9:** Reinstall the CRT Filter Retainer assembly into the Display Frame.
- Step 10:** Reinstall the Display Frame into the Front Subpanel by using the three (3) Torxdrive screws that provided in this kit.
- Step 11:** Reconnect J39 cable connector removed earlier.
- Step 12:** Place the Front Panel assembly into the instrument.
- Step 13:** Reinstall the Trim ring onto the instrument. Align the bottom of the Trim ring, then rotate the trim upwards and snap in place. Make sure the bezel buttons are seated properly over the locating pins in the trim.
- Step 14:** Remove the protective backing from the 045-kit label, provided in this kit, and place it on a clean, dry area on the rear of the instrument. This indicates the kit has been installed.