



045-0152-00

M66294

U350 AND U552 REPLACEMENT.

For the following TEKTRONIX® instruments:

- 11401 All Serial Numbers
- 11402 All Serial Numbers

This kit contains parts and instructions to replace U350 and U552, microcircuits, located on the Acquisition circuit board A5.

KIT PARTS LIST:

Ckt. Number	Quantity	Part Number	Description
U350			
U552	2 ea	155-0289-01	Microckt. dgtl: A-D converter, 1.0V

INSTRUCTIONS:

WARNING

Dangerous shock hazards may be exposed when the instrument covers are removed. Before proceeding, ensure the mainframe power switch is in the off position. Then, disconnect the instrument from the power source. Disassembly should only be attempted by qualified service personnel.

CAUTION

Many components within the 11401/11402 Oscilloscopes are extremely susceptible to static-discharge. Service the instrument only in a static-free environment. Observe standard handling precautions for static-sensitive devices while installing this kit. Always wear a grounded wrist strap.

NOTE

These instructions assume a familiarity with the instrument. If additional assembly or disassembly details are required, refer to the 11401/11402 Service Reference Manuals.

- () 1. Turn the slotted fasteners on the top and bottom dust covers one quarter turn counterwise, then remove the dust covers by lifting away from the instruments.
- () 2. Position the instrument with the bottom facing the installer. The Acquisition circuit board A5, is located on the bottom and towards the rear of the instrument, refer to Figure 1.

- () 3. Swing the Acquisition circuit board out away from the instrument to allow access to U350 and U552 microcircuits.
- () 4. Replace U350, U552 "Slam-Pak" microcircuits as follows: Refer to Figure 2, "Slam-Pak" detail.
 - () a. Unfasten the retaining clip by moving it across the tabs. It may help to push down slightly on the cover.
 - () b. Remove the cover slowly to prevent the microcircuit from falling out. Observe the index of the microcircuit before removing it.
 - () c. Remove the microcircuit with tweezers.

CAUTION

Avoid touching the microcircuit or the socket contacts with your fingers. Finger oils lessen reliability.

- () d. Using tweezers, place the beveled corner of the new microcircuit against the index spring.

CAUTION

Do not damage the spring with the beveled corner. This could cause shorting of the two corner contacts.

- () e. Arrange the other microcircuit corners, with the tweezers, to fit evenly at the edges of the socket.
 - () f. Set the cover flat on the microcircuit with its end tabs properly aligned with the mating recesses in the socket. (The cover is not symmetrical).
 - () g. Push the cover down, keeping it flat on the microcircuit, and slide into place. Hold the cover in place while moving the retaining clip over the tabs on the other end.
- () 5. Refer to the Checks and Adjustments, Parts 13 and 14, A/D Converter Linearity and RMS Noise, in the Service Reference Manual and make necessary checks and adjustments.
 - () 6. Replace the scope cabinet covers removed in step 1

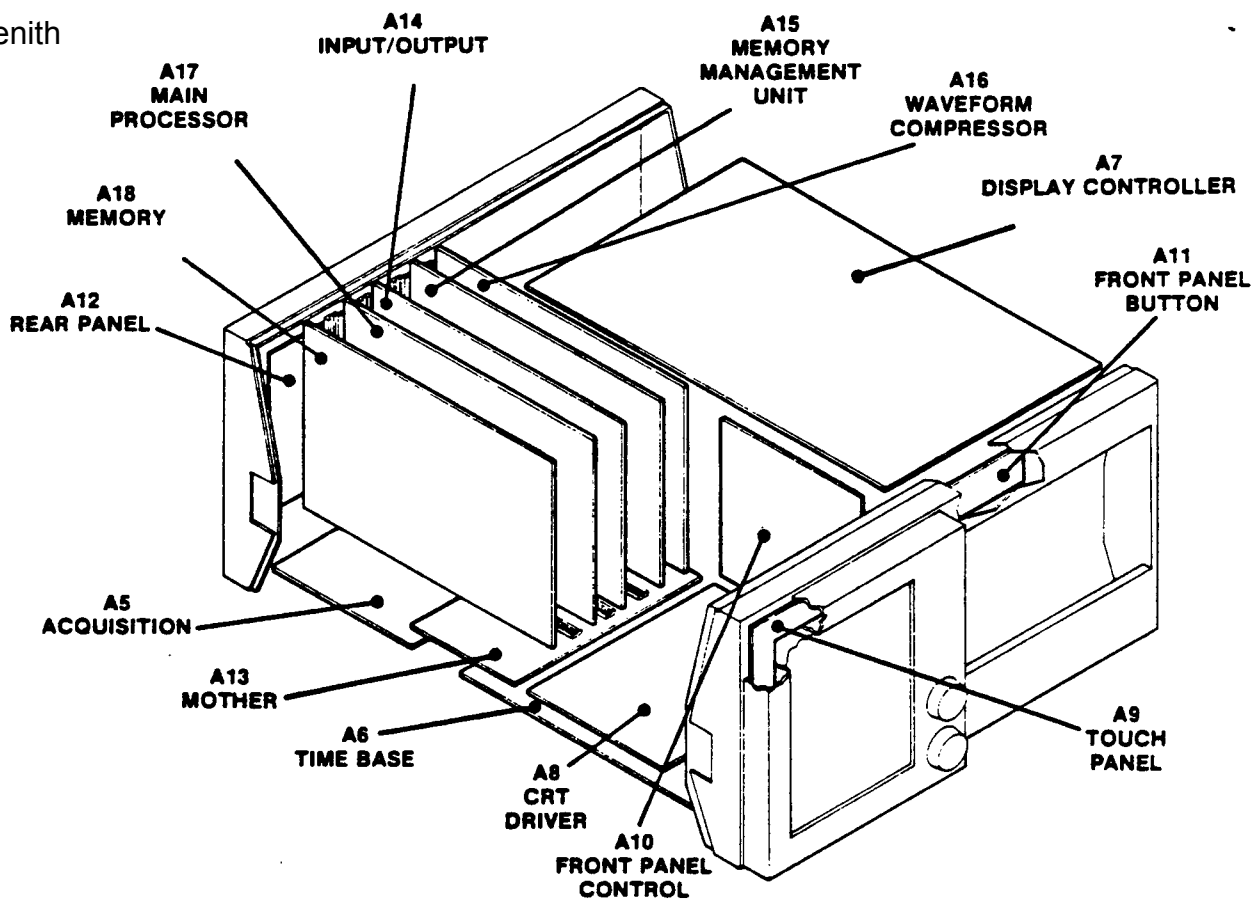


Figure 1. - 11401/11402 circuit locations.

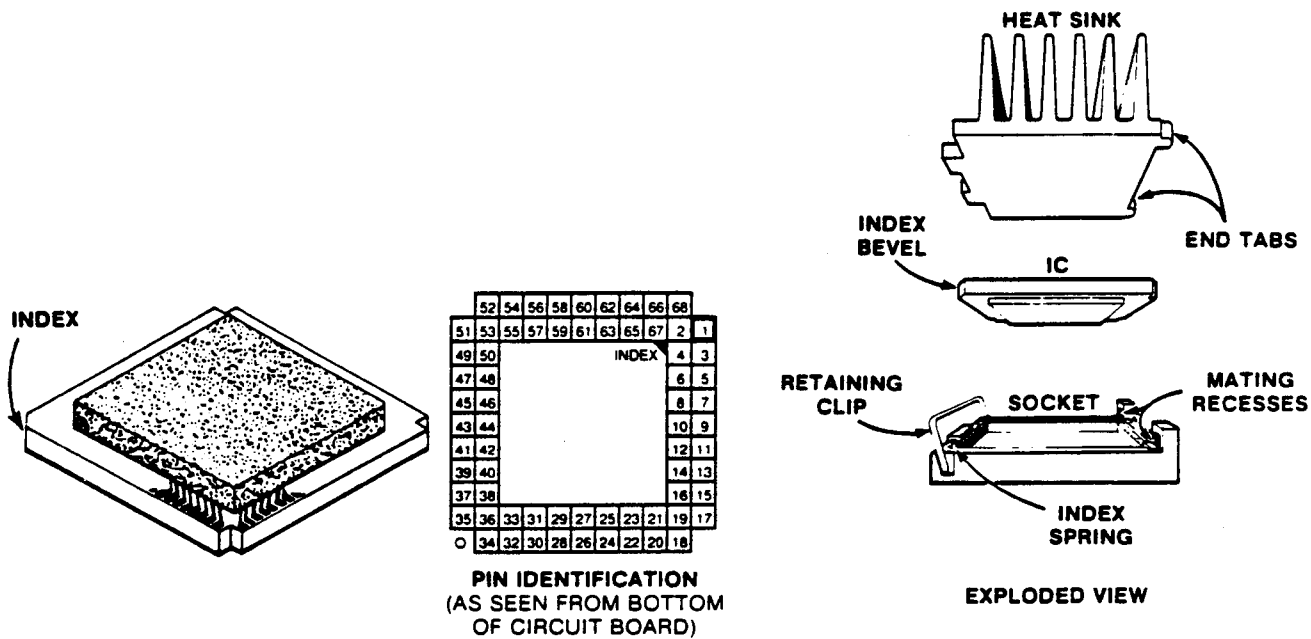


Figure 2. - "Slam-Pak" microcircuit indexing.

RETURN MATERIAL NOTICE

Return to the factory all replaced (used) parts or any parts not used in this kit. Package all parts using standard handling precautions for static-sensitive devices. Enclose a copy of the instrument service record.

Ship the return packages to:

Tektronix, Inc.
P. O. Box 500
Beaverton, OR 97077

Attn: Kathy Shapland
Del. Station 47-175

Name _____

Tek Field Office _____

