



045-0119-00

M59633, M61380

FIRMWARE UPDATE

For the following TEKTRONIX® instruments:

836 Serial Numbers R010100 - R010275

R836 Serial Numbers R010100 - R010101

This product improvement kit provides firmware (U310 and U235) and installation instructions to eliminate errors encountered when using "1 A Transfer" function with 830 Series ROM Packs.

KIT PARTS LIST:

Ckt. Number	Quantity	Part Number	Description
U310	1 EA	160-3182-04	MICROCKT. DGTL: HMOS. 16384 EPROM
U235	1 EA	160-3352-05	MICROCKT. DGTL: HMOS. 16384 EPROM
----	1 EA	-----	LABEL, IDENT

INSTRUCTIONS:

WARNING

Before proceeding, ensure the mainframe power switch is in the off position, then disconnect the instrument from the power source.

The following instructions are for use by qualified service personnel only. To avoid personal injury, do not perform any of the following procedures unless you are qualified to do so.

- () 1. Remove the bottom cover. Refer to Figure 1.

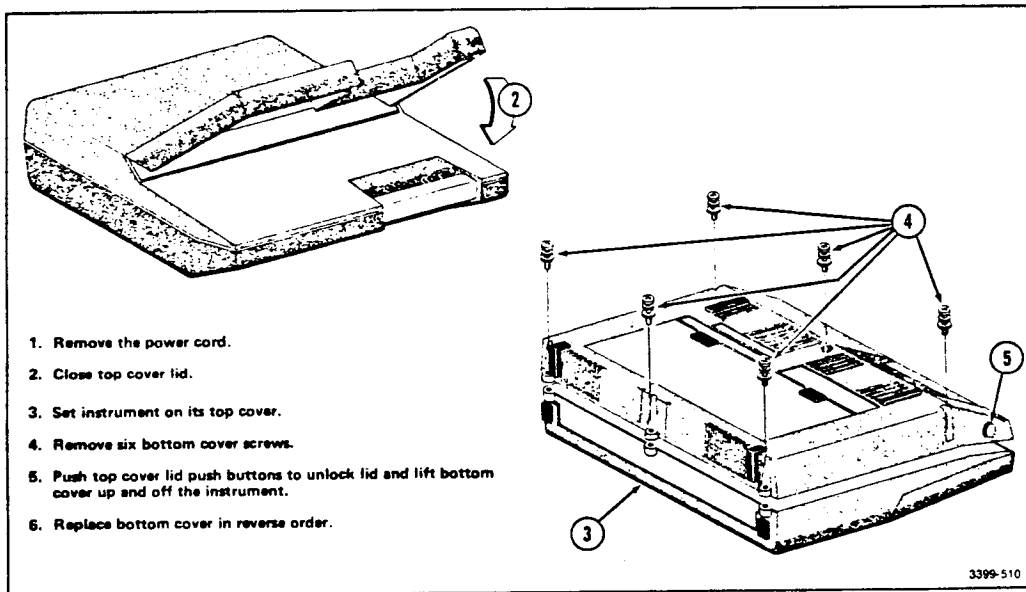


Figure 1. Bottom cover removal and replacement.

- () 2. Remove the three Interface circuit board securing screws. Refer to Figure 2 for circuit board locations.

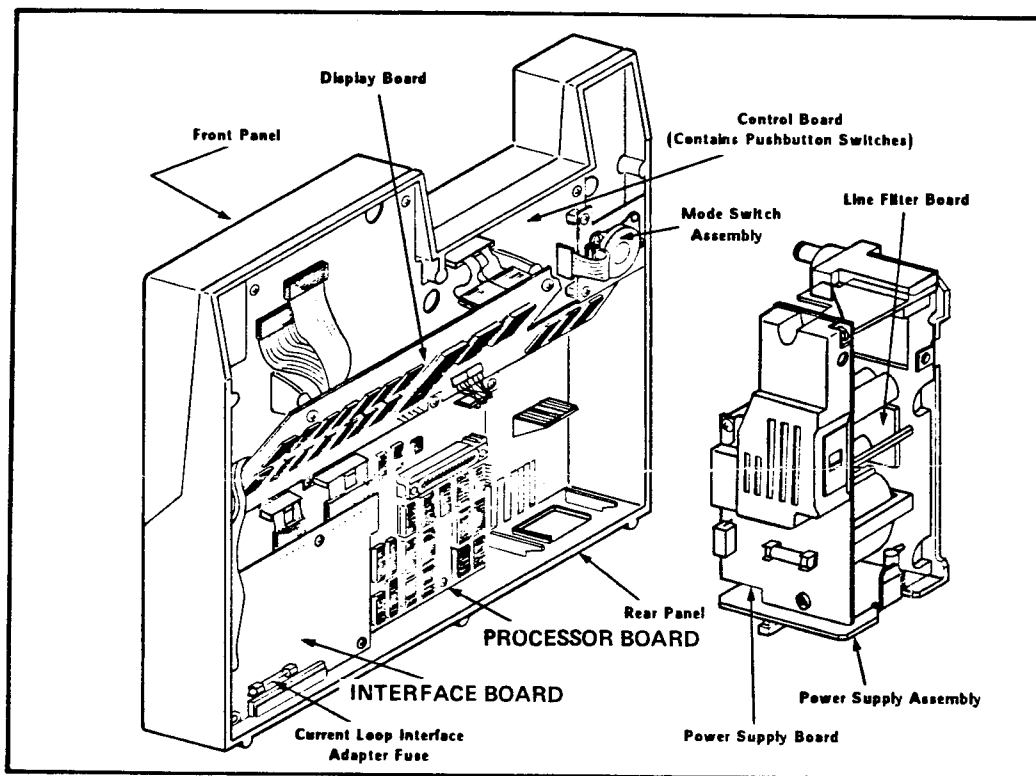


Figure 2. Circuit board locations.

- () 3. Pull the circuit board away from the rear of the cabinet.
- () 4. Pivot the rear of the Interface circuit board up and toward the Display circuit board to allow access to U310 on the Processor circuit board.

- () 5. Replace U235 with pn 160-3352-05 provided in the kit. Refer to Figure 3 for location of U235 and U310.
- () 6. Replace U310 with pn 160-3182-04 provided in the kit.
- () 7. Reassemble the instrument, reversing disassembly procedure.
- () 8. Affix the identification label, provided in the kit, to the bottom cover (near the center cover-securing screw) to indicate this kit has been installed.
- () 9. For future reference, correct the Electrical Parts List in the Instruction Manual to reflect the changes incorporated by this kit.
- () 10. Refer to the 835/836 Service Manual and perform the LIST-ROM TEST (CSROM and Z8ROM) to verify the correct internal ROMS have been installed as follows:

Z8ROM: PN=3182-04

CSROM: PN=3352-05

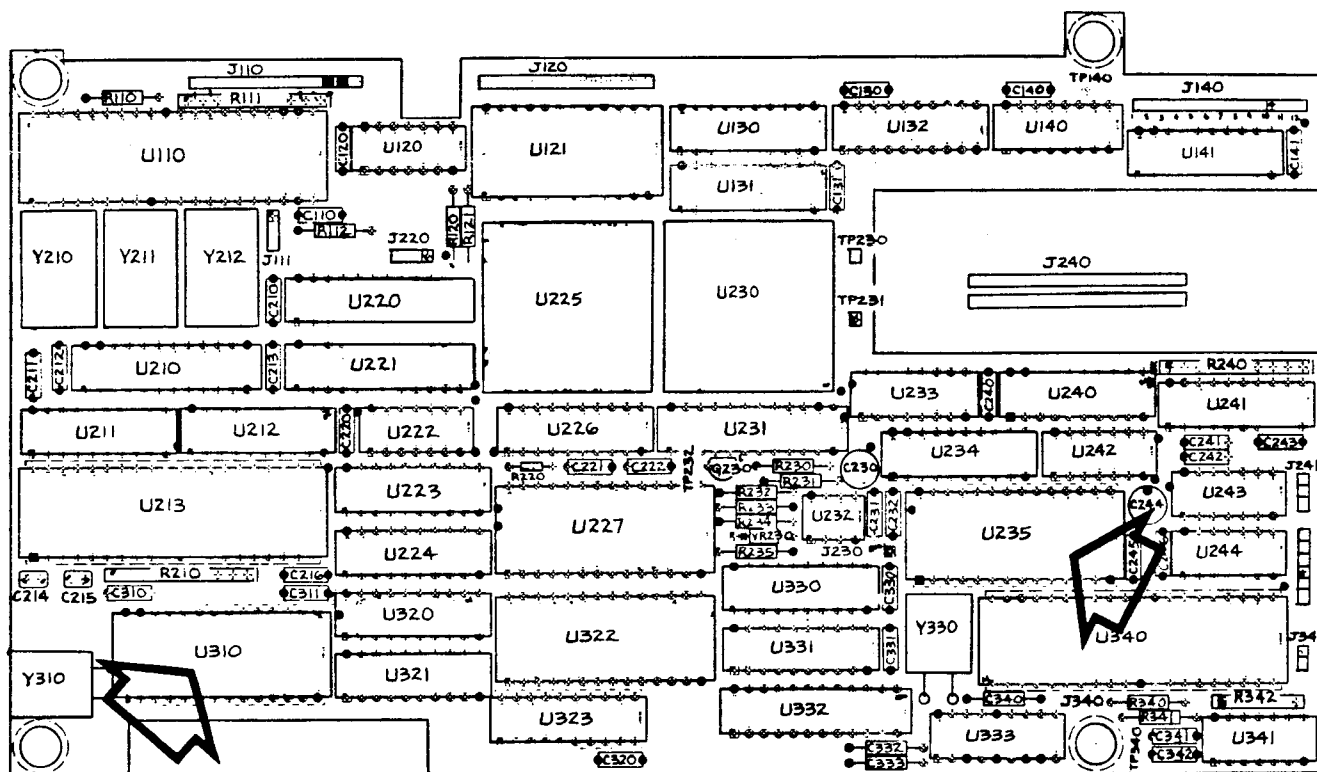


Figure 3. Location of U235 and U310 on the Processor (A1) circuit board.