



040-1194-00

M59568

TANGENTIAL NOISE REDUCTION

For TEKTRONIX® A6902A Isolators

Serial Numbers B010100 - Up

This kit provides parts and instructions to reduce tangential noise and therefore improve product performance. The kit consists of two metal shields which are added to T2250 and T2750.

NOTE

Installation of this kit may increase risetime and decrease bandwidth in the 0.2 volt per division attenuator setting.

Copyright © 1985
Tektronix, Inc.
All Rights Reserved

9-DEC-1985

page 1

KIT PARTS LIST:

Ckt. Number	Quantity	Part Number	Description
	2 ea	337-3283-00	Shield, toroid
	1 ea	-----	Label, 040-kit

INSTRUCTIONS:

WARNING

Before proceeding, ensure the mainframe power switch is in the off position, then disconnect the instrument from the power source.

- () 1. Remove the top cabinet half, the top main shield and the preamplifier shields.
- () 2. Disconnect the preamplifier input leads from the preamplifier by gently pulling them straight up (refer to Fig. 6-4 in the Service Manual).
- () 3. Remove the two torx head screws on the Main circuit board and the four posidrive screws, two on the side panel and two on the rear panel (labeled "A" in Fig. 6-6 in the Service Manual).
- () 4. Remove the six hexagonal spacers (labeled "B" in Fig. 6-6 in the Service Manual) using a 9/32-inch nut driver or wrench. During reinstallation, torque the spacers to 4 inch-pounds maximum.
- () 5. Grasp the top transformer clamp and lift the Main circuit board/back panel assembly from the bottom main shield, taking care not to damage connectors, panels or other components.
- () 6. After first desoldering necessary wires (note color code and locations), wrap the included toroid shields around the signal transformers, T2250 and T2750 (refer to Fig. 1 for the shield installation portion of this procedure).
- () 7. Insert the square tab into the square slot and bend it over toward the edge of the shield.
- () 8. Bend the edge of the shield over so the small tabs overlap.
- () 9. Bend the large tabs down to secure the transformer within the shield (do not damage the wire insulation).

- () 11. Insert the tabs through the Main circuit board holes most distant from barrier shield.
- () 12. Bend tab pairs in opposite directions, making contact with the Main circuit board.
- () 13. Solder the tabs in place.
- () 14. Resolder all wires earlier desoldered.
- () 15. Clean solder flux from the circuit board and reassemble the instrument.
- () 16. Refer to the Service Manual and verify performance.
- () 17. Remove the protective backing from the include 040-kit label and place it on a clean dry area of the instrument near the serial number tag.
- () 18. Add the part numbering information to the Mechanical Parts List of the Service Manual.

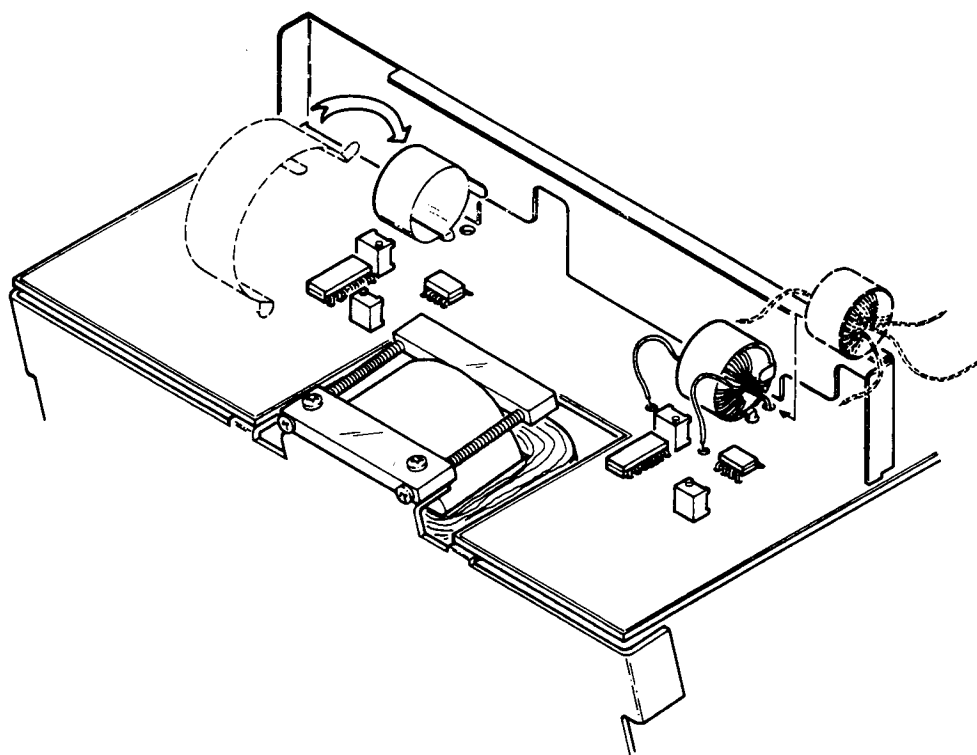


Fig. 1 - Toroid Shield Installation