



040-0584-04

M24082, M24083

## RACKMOUNT TO CABINET CONVERSION

For the following TEKTRONIX® Oscilloscopes:

R5110	Single Beam Display	All Serial Numbers
R5111	Single Beam Storage Display	All Serial Numbers
R5111A	Storage Oscilloscope	All Serial Numbers
R5112	Dual Beam Display	All Serial Numbers
R5113	Dual Beam Storage Display	All Serial Numbers
R5115	Single Beam Storage	All Serial Numbers
R5440	Single Beam Display	All Serial Numbers
R5441	Single Beam Storage	All Serial Numbers
R5444	Single Beam Storage	All Serial Numbers

This Modification Kit provides parts and instructions for converting any of the above instruments from a rackmount model to a cabinet instrument.

**PARTS INCLUDED IN MODIFICATION KIT:**

Quantity	Part Number	Description
2 ea	200-0728-00	Cover, handle, front or rear
2 ea	210-0008-00	Lockwasher, int. 0.172 ID x 0.331 OD
4 ea	211-0531-00	Screw, 6-32 x 0.375, fin
2 ea	212-0008-00	Screw, 8-32 x 0.500, pnh
2 ea	212-0105-00	Screw, 8-32 x 0.312, hex head
4 ea	212-0597-00	Screw, shouldered
1 ea	337-3015-01	Shield, elec, high voltage, w/spcr, bench
2 ea	343-0256-00	Retainer block
1 ea	348-0275-00	Flipstand, cabinet
1 ea	367-0116-00	Handle, carrying
2 ea	386-1283-00	Plate, handle mounting
2 ea	386-1624-00	Plate, retaining, handle
2 ea	390-0469-00	Cabinet side, right or left
1 ea	390-0470-00	Cover, scope, bottom

**INSTRUCTION:****WARNING**

Before proceeding, ensure the power switch is in the OFF position, then disconnect the power cord from the power source.

- ( ) 1. Remove Mainframe and Display Unit top, side and bottom covers and remove the Display Unit High Voltage cover.
- ( ) 2. Remove the chassis track and the rackmounting brackets.
- ( ) 3. Remove the screws that fasten the Display Unit and the Power Supply/Amplifier module (mainframe) together, disconnect the interconnect cables, and unsolder the delay line from the Main Interface circuit board in the R5440.

When performing the following steps, refer to Fig. 1 for 5110, 5111, 5111A or 5115 instruments, Fig. 2 for 5112 or 5113 instruments, or Fig. 3 for 5440, 5441, or 5444 instruments.

- ( ) 4. Install the high voltage electric shield on top of the Mainframe with the perforated end towards the front and the flanges on the cut-out up. Fasten the two units together using two 8-32 x 0.500 inch screws in the rear and two 8-32 x 0.312 inch screws in the front. Install the rear screws through the Display Unit into the Mainframe and the front screws through the Mainframe into the Display Unit.

INSTALL HANDLE AS FOLLOWS:

- ( ) 5. Place a plastic spacer over the front handle screw holes.
- ( ) 6. Place end of handle over spacer.
- ( ) 7. Place handle mounting plate over handle and fasten with two shouldered screws. Install front handle cover.
- ( ) 8. In a like manner, fasten the rear handle and install the rear handle cover.
- ( ) 9. Install the SCOPE-MOBILE® cart retainer blocks on the cabinet bottom using the 6-32 x 0.375 inch screws.
- ( ) 10. Reconnect the interconnect cables. Resolder the delay line to the Main Interface circuit board in the R5440. Reinstall the High Voltage cover. Install the new cabinet sides and cabinet bottom.

NOTE

Be sure that arrows on the cable connectors and the arrows on the circuit board are aligned.

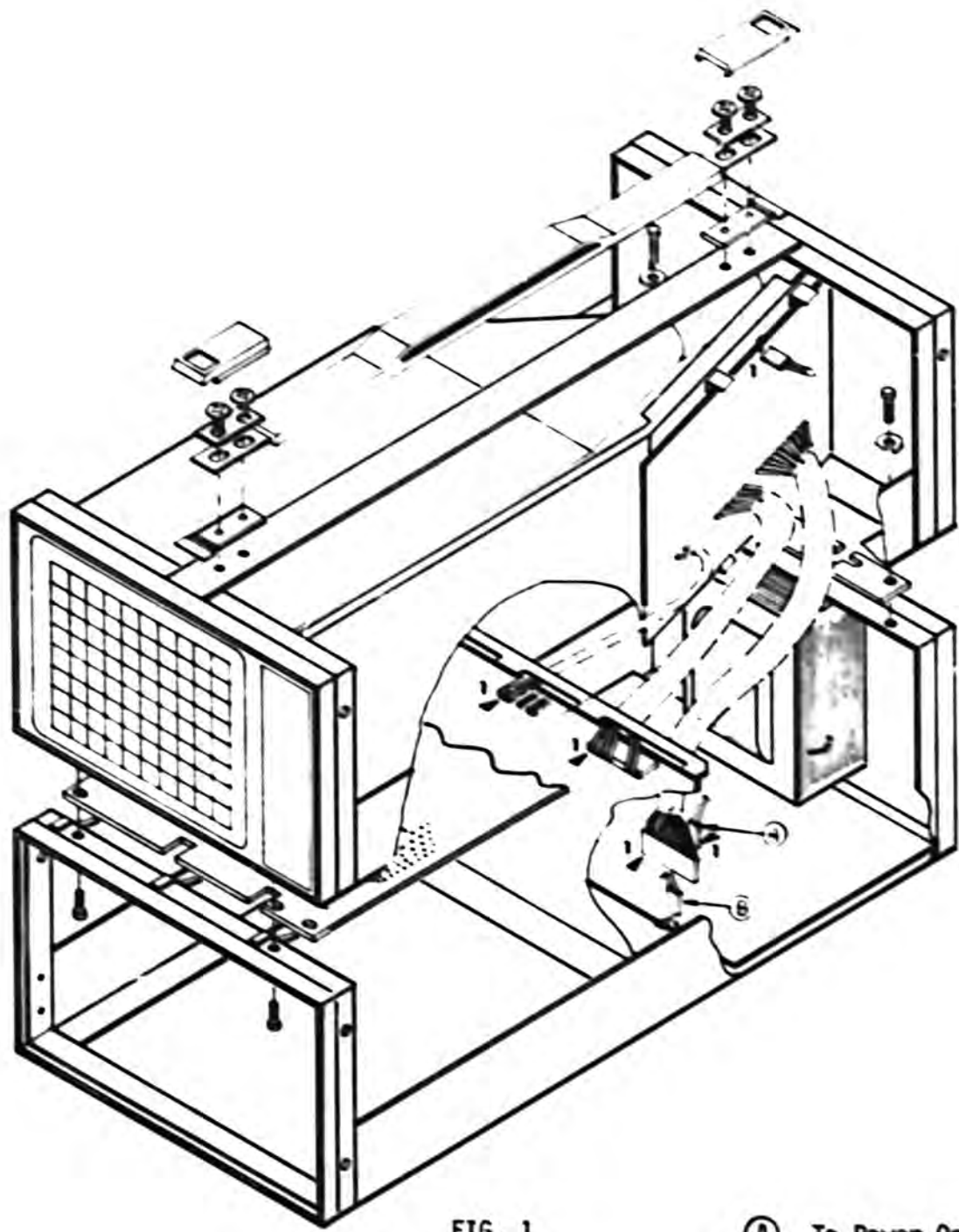


FIG. 1

Type R5110, R5111 or R5115

- (A) To Power On Switch and Line Fuse
- (B) To Calibrator

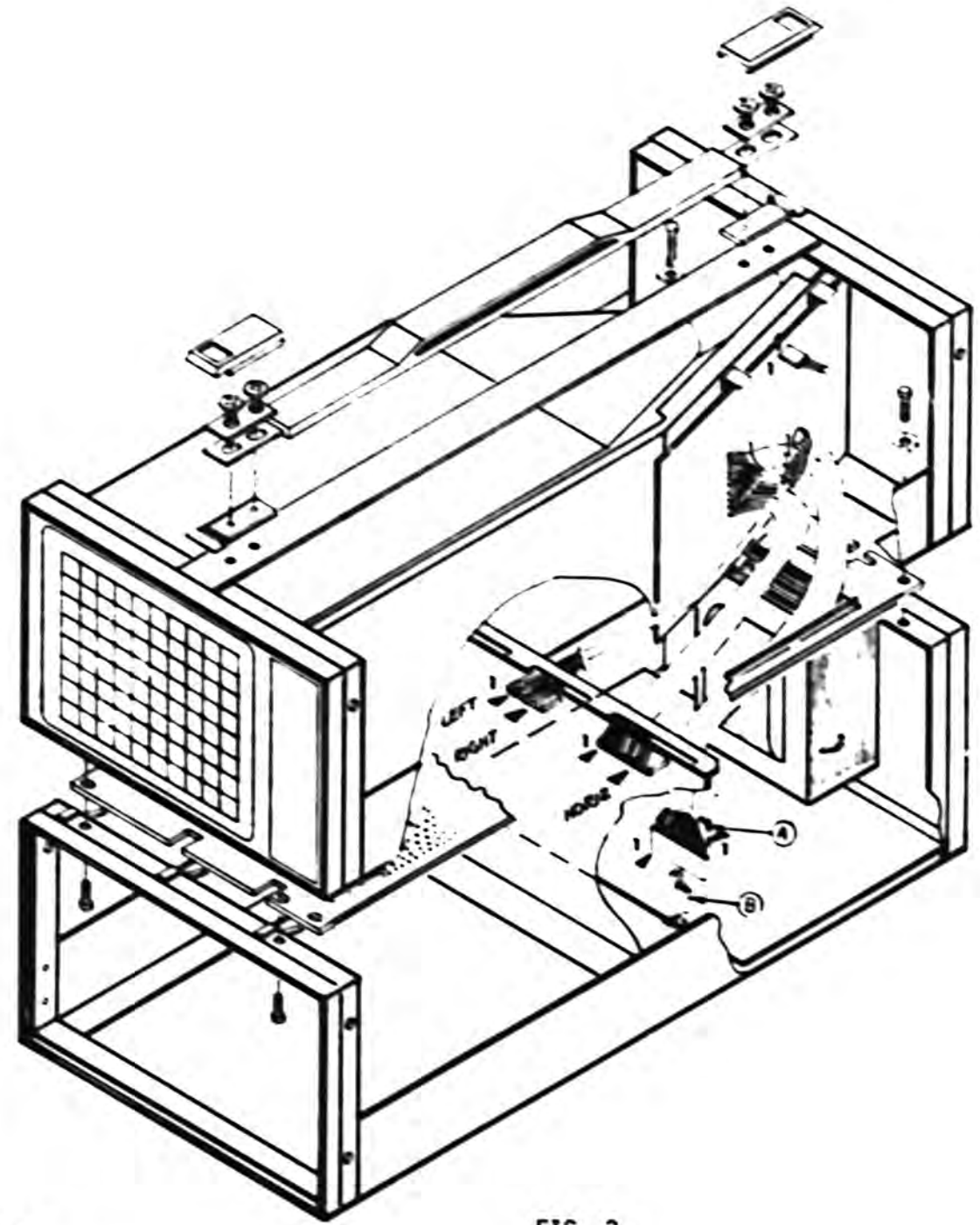


FIG. 2

Type R5112 or R5113

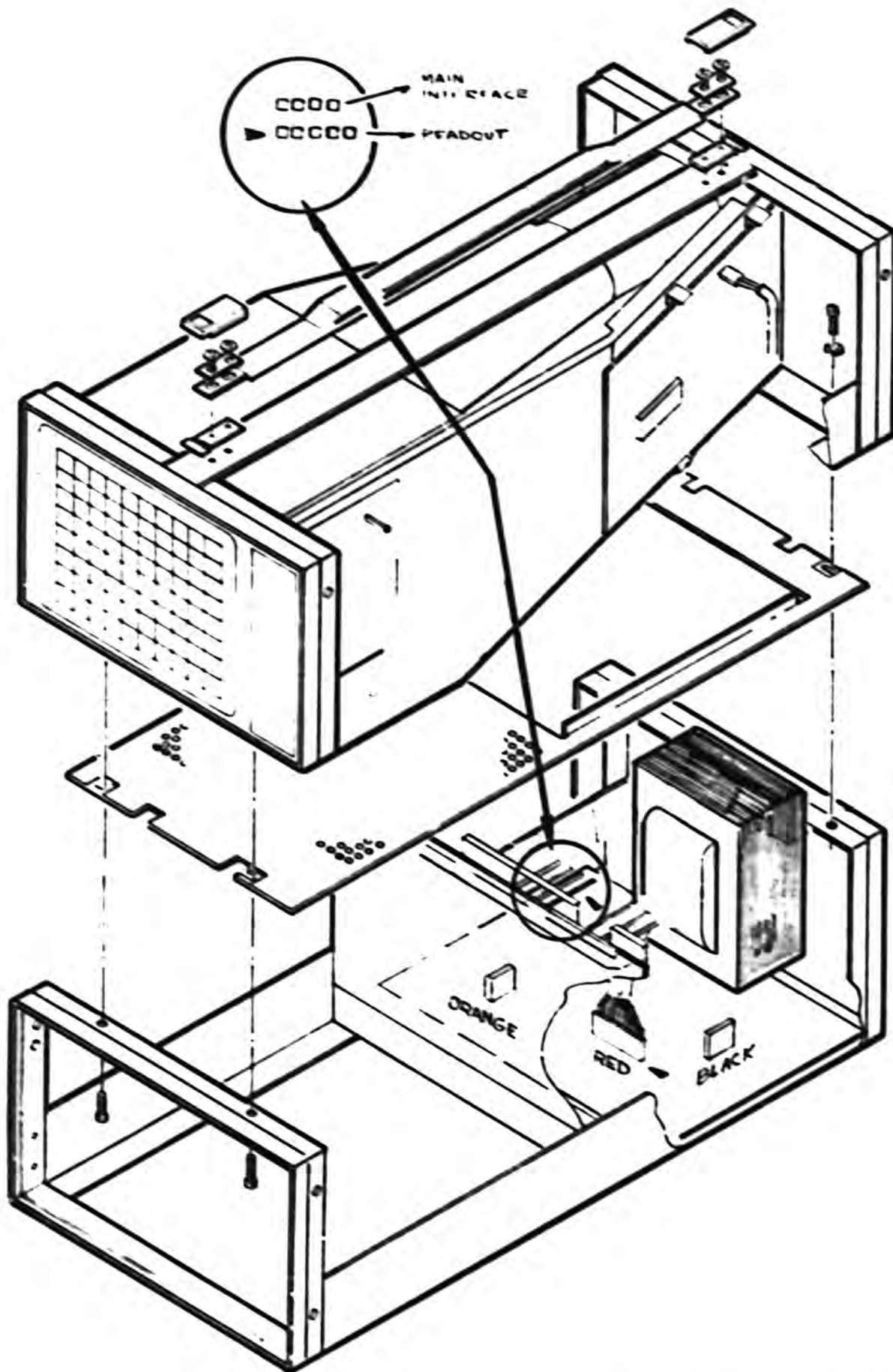


FIG. 3. 5440, 5441, or 5444