

SECTION 20

TABLE OF CONTENTS

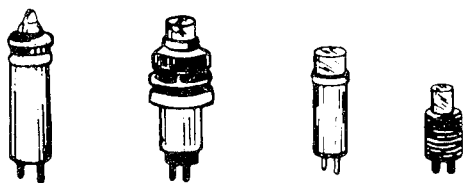
	Page
LAMPS	
GLOW	20-3
INCANDESCENT	20-4
INCANDESCENT ILLUSTRATIONS	20-5
CARTRIDGE & INDICATOR LIGHTS	20-7
CARTRIDGE & INDICATOR LIGHTS ILLUSTRATIONS	20-8
LAMPHOLDERS	20-9
INDICATOR LIGHT LENS ILLUSTRATIONS	20-13
INDICATOR LIGHT LENS	20-14
CROSS REFERENCE INDEX	20-15

In the Transistor Section of the Supplement Catalog 7, you will find the following information:

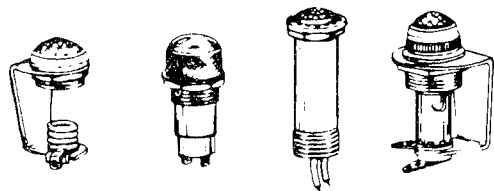
- Lamps - Application Notes
 - Neon Bulb Indicators Oscillate
 - Extend Incandescent Lamp Life

CATALOG WRITER: SANDRA PHILLIPS, 629-3030

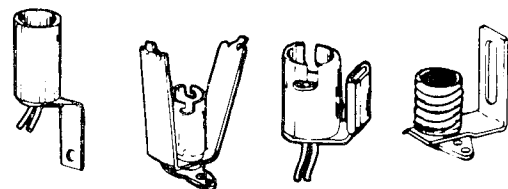
LAMPS, LAMPHOLDERS AND LENS



LAMP, CARTRIDGE: An item consisting of an unbased lamp, either incandescent or glow, mounted on a sleeve. The unbased lamp is not normally removable. It has projecting terminals. It must include or provide for the use of a lens as an integral part of it. Representative types shown at left.



LIGHT, INDICATOR: An item designed to convey information of a specific nature concerning the circuit in which inserted. Must include or provide for the use of a lens as an integral part of it. The item must have accommodations for one or more LAMP, (glow or incandescent), which may or may not be included but which is replaceable. Representative types shown at left.



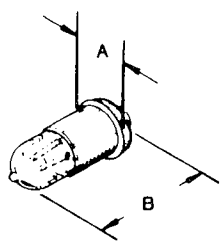
LAMPHOLDER: An item primarily designed to electrically and mechanically accommodate a LAMP, (glow or incandescent). May include an integral switch, dropping resistor, etc. provided these items control the lamp only. Does not include a shade, lens, reflector, or other item for modifying illumination. May or may not include lamp.

PREFERENTIAL USE OF LENS COLORS:

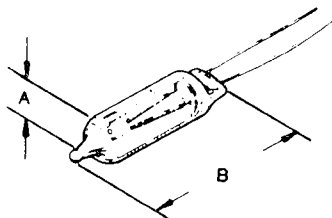
The only standard governing the use of lens colors at TEKTRONIX is for POWER ON applications as follows:

GREEN with incandescent lamps, and WHITE with glow (neon) lamps.

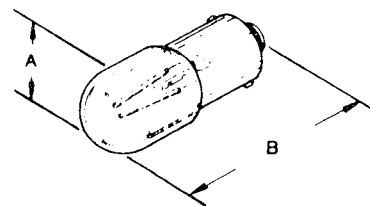
GLOW



T-1 3/4 MIDGET FLANGED
FIGURE 1



T-2 WIRE TERMINAL
FIGURE 2



T-3 1/4 MINIATURE BAYONET
FIGURE 3

Volts dc		Design Current (mA)	Lamp Number	Fig	Maximum Dimensions		Average Life (Hours)	Other	Part Number	Codes ^a		
Firing	Maintaining				A	B				ND	Cost	ST
50-60 Max	52-62	.3	NE-99	2			7.5 k		150-0084-00		.420	CR
55-90 Max	57 Avg	1.5	5AJ-A	2	.250	.938	2 k	Dark Effect Reduced	150-0053-00		.850	CS
60-90 Max	46-78	.7	A2B-T	2	.244	.750	25 k		150-0030-00	A	.080	CR
60-100 Max	59 Avg	1.5	5AH	2	.250	.938	5 k	Dark Effect Reduced	150-0051-00			OB
62-72 Max	50-60	.3	5AB-BT	2	.250	1.063	6 k	Dark Effect Reduced	150-0055-00			OB
64-80	50-60	.3	NE-81	2	.250	1.060	5 k	Dark Effect Reduced	150-0067-00		.850	CR
68-76 Max	50-60	.4	NE-76	2	.275	1.000	2 k	Dark Effect Reduced	150-0021-00		1.190	CS
70-78 Max	55-61	.5	ST2-27-S	2	.244	.844	2.5 k		150-0037-00			NP
90 Max	59 Avg	.3	NE-23	2	.250	1.000	6 k	Dark Effect Reduced	150-0027-00		.640	CR
90 Max		.3	A1G	1	.290	.625	25 k		150-0085-00		1.680	CS
90 Max		.3	NE-2B	2	.244	.520	25 k	Dark Effect Reduced	150-0035-00	U	.090	CR
90 Max		.3	T2 Modified	2	.160	.430	25 k		150-0035-01		.370	CR
90 Max		.5	NE-2T(T2)	2	.250	1.000	25 k		150-0002-00		.080	CR
125 Max		1.5	A1B-9	2	.244	.500	25 k	High Bright, Dark Effect Reduced	150-0111-00	U	.080	CR
135 Max		1.9	NE-2Q	2	.244	.750	25 k	High Bright, Dark Effect Reduced	150-0050-00	U	.075	CR
135 Max		1.9	C2A-T	2	.244	.750	25 k	Dark Effect Reduced	150-0173-00			OB
90 Max		.3	BIA	3	.480	1.188	15 k		150-0003-00			OB

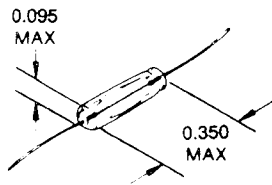
^a The nominal price (at time of printing) is listed in the cost column. For ND Codes (New Design Recommendations) and Status Codes, see tab marked CODES in the back of this catalog.

INCANDESCENT

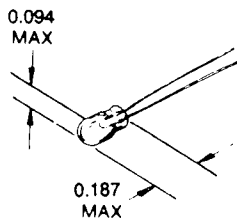
Design Voltage (V)	Design Current (A)	Light Output (MSCP)	Average Life (Hours)	Lamp Number	Incandescent Illustration Figure	Other	Part Number	Codes ^a		
								ND	Cost	ST
2.25	.250		5	222	13	Lens-end	150-0116-00	U	.420	CR
2.47	.500	.90	15	245	15		150-0117-00			OB
5.	.060	.05 ± 15%	25 k	683	3	Aged and Selected	150-0048-01		.150	CR
5.	.060	.05	25 k	685	4		150-0045-00	U	.560	CR
5.	.060	.05	25 k	2200DX	9	Safety Controlled	150-0130-00		.192	CR
5.	.060	.05 ± 15%	25 k	6833AS15	2	Aged and Selected	150-0093-01		.400	CR
5.	.060	.05 ± 25%	25 k	6835	1	Safety Controlled	150-0049-00	U	1.000	CR
5.	.060	.053 ± 15%	25 k	6832AS15	5	Aged and Selected	150-0102-01	U	.458	CR
5.	.060		25 k	683R	3	Red Coated Glass Env.	150-0054-00			OB
5.	.060			7361	10	Lens-end	150-0194-00		.580	CS
5.	.060 ± 10%	.15	5 k	CM7-3152	10		150-0139-00		.308	LS
5.	.075	.09 ± 15%	25 k	7132AS15	5	Aged and Selected	150-0106-01			OB
5.	.080	.15 ± 15%	3 k	8666AS15	2	Aged and Selected	150-0098-01			OB
5.	.115	.15	20 k	OL-515TPL	6		150-0100-00		.350	CS
5.	.115	.15	40 k	CM7335	7		150-0125-00		.800	CS
5.	.115 ± 10%	.15 ± 15%	50 k	7153AS15	2	Aged and Selected	150-0057-01	A	.230	CR
5.	.115 ± 10%	.147	50 k	7153AS15	2	With Holder 352-0174-01	150-0057-02		1.141	OT
5.	.115 ± 10%	.147	50 k	7153AS15	2	With Holder 352-0174-01	150-0057-03			NP
5.	.115	.147	40 k	147			150-0120-00			OB
5.	.222		40 k	OL-815BLX	10	Lens-end	150-0195-00		1.650	CS
6.	.200	.6	1 k	1784	9		150-0128-00		.216	CS
6.	.200 ± 10%	.34	1 k	328	7		150-0004-00	X	.351	CR
6.	.200 ± 10%	.6	1 k	2306	10		150-0122-00			OB
6.3	.150	.35	10 k	12	16		150-0018-00		.780	CS
6.3	.150	.52	3 k	47	14		150-0001-00	U	.125	CR
6.3	.200	.55	5 k	2112DX	9		150-0129-00		.328	CR
6.3	.200	.55 ± 25%	5 k	398	8		150-0047-00	U	.245	CR
6.3	.200	.55	5 k	349	7		150-0029-00		.180	CR
6.3	.200	.4	50 k	378	11		150-0189-00			OB
6.3	.200	.4	20 k	7381	10	Safety Controlled	150-0097-00		.590	CR
6.3	.200	.4	50 k	OL-381-BPR-022	10	Requires Male Bi-pin Socket Part Number 136-0845-00	150-1136-00		.540	CR
6.3	.200	.4	20 k	7381	10	Frosted With Cut Leads	150-0097-01		.800	CR
6.3	.250	.9	3 k	44	14		150-0031-00			OB
10.	.013	.006	50 k	2149D	9		150-0075-00	U	2.350	CR
10.	.040	.08	5 k	367	7		150-0108-00		.810	CS
10.	.040	.08	5 k	CM2107	3 or 9	Available in Both Packages	150-0046-00	U	.160	CR
12.	.060	.15	10 k	CM7219	3		150-0180-00	U	.506	CR
12.	.200	2.5 ± .4%	15 to 20	268	14		150-0103-00	U	3.400	CR
14.	.080	.3	50 k	CM8362	11		150-0181-00		.899	CR
14.	.080	.3	50 k	2162D	9	Safety Controlled	150-0077-01		.220	CR
14.	.080	.3	15 k	382	7		150-0078-00	U	.780	CS
14.	.080	.3	50 k	386	8		150-0059-00		.195	CR
14.	.080	.3	15 k	73E	17	Wedge Base	150-0146-00		.153	CR
14.	.080	.3	50 k		17	Wedge Base	150-0168-00			CR
14.	.100	.5	10 k	CM8918	7		150-0137-00	U	.575	CR
14.	.750	2.	7.5 k	CM1893	14		150-0208-00			DL
18.	.026	.15 ± 20%	10 k	CM7220	3		150-0109-00		.580	CR
28.	.040	.3	5 k				150-0156-00	A	1.150	CR
28.	.040	.3	7 k	2187D	9		150-0088-00		.192	CS
28.	.040	.3	7 k	387	7		150-0141-00		.830	CR
120.	.025	.36	5 k	120PS	12	Safety Controlled	150-0131-00		.860	CR

^a The nominal price (at time of printing) is listed in the cost column. For ND Codes (New Design Recommendations) and Status Codes, see tab marked CODES in the back of this catalog.

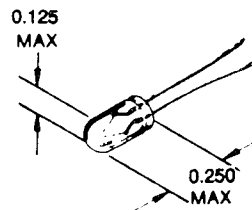
INCANDESCENT ILLUSTRATIONS



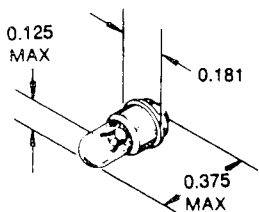
T-3/4 A Wire Terminals
FIGURE 1



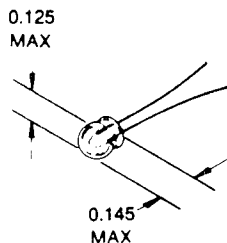
T-3/4 Wire Terminals
FIGURE 2



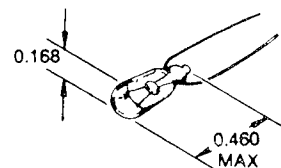
T-1 Wire Terminals
FIGURE 3



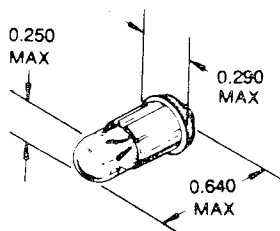
T-1 Wire Terminals (Low Profile)
FIGURE 4



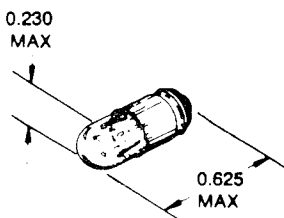
T-1 1/4 Wire Terminals
FIGURE 5



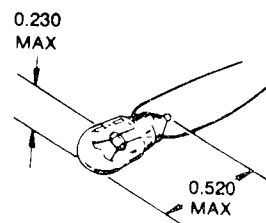
T-1 3/4 Midget Flanged
FIGURE 6



T1 3/4 Wire Terminals
FIGURE 7

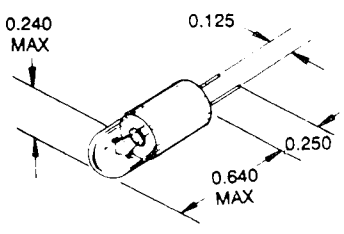
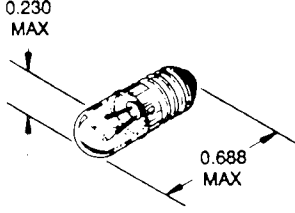
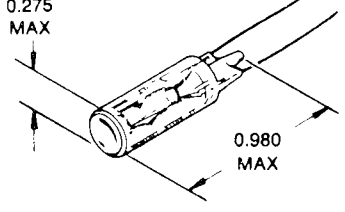
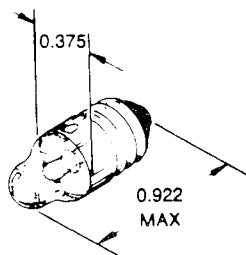
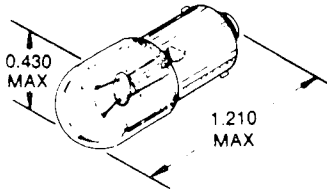
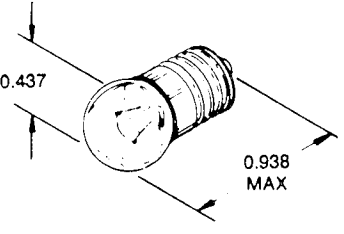
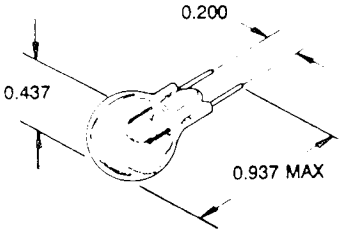
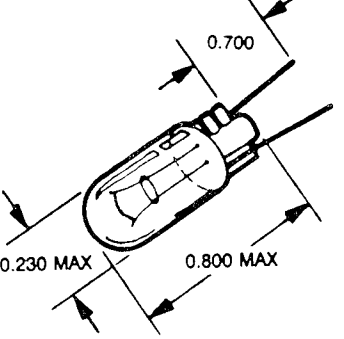


T-1 3/4 B-1 Pin
FIGURE 8



T-1 1/2 Midget Screw
FIGURE 9

INCANDESCENT ILLUSTRATIONS (cont)

 <p>T-1 Sub-midget Flanged FIGURE 10</p>	 <p>T-1 3/4 Midget Grooved FIGURE 11</p>	 <p>T-2 Wire Terminals FIGURE 12</p>
 <p>TL-3 Miniature Screw FIGURE 13</p>	 <p>T-3 1/4 Miniature Bayonet FIGURE 14</p>	 <p>G-3 1/2 Miniature Screw FIGURE 15</p>
 <p>G-3 1/2 Miniature 2-Pin FIGURE 16</p>		 <p>T-1 3/4 2-Pin, Wedge Base FIGURE 17</p>