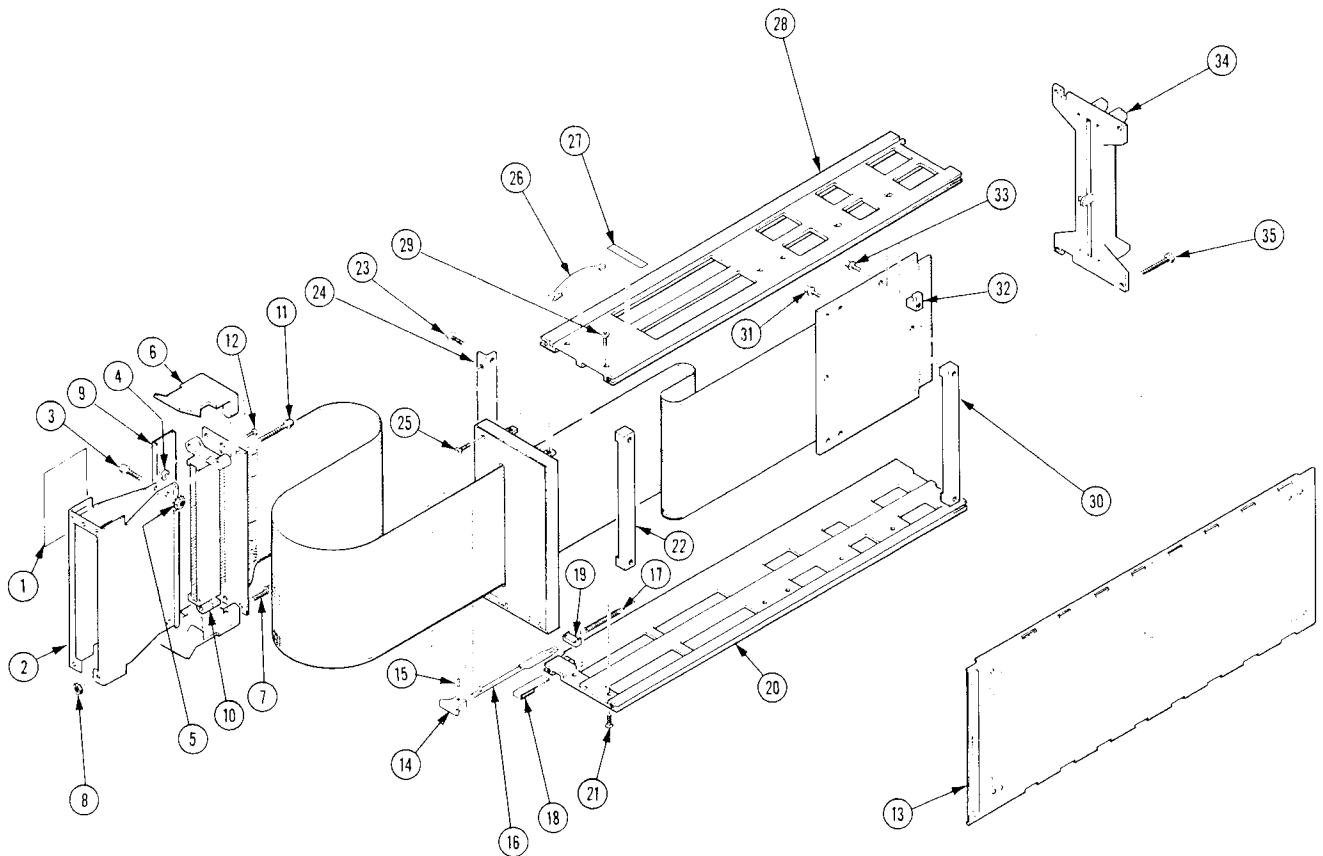


## CALIBRATION FIXTURE: FLEXIBLE EXTENDER

Part No. 067-1261-00



### PRODUCT DESCRIPTION and COMPATIBILITY

The Flexible Extender is intended to facilitate calibration and troubleshooting of 11A and 11T-series plug-in units by allowing them to be operated while extended out of the oscilloscope mainframe.

The Flexible Extender is not compatible with 7000-series oscilloscopes. It is intended for use with 11000-series mainframes and plug-in units only.

Do not use the Flexible Extender with 7000-series mainframes, or with any 7000-series plug-in units which are not compatible with 11000-series mainframes.

When extended on the Flexible Extender, all plug-in unit functions will be operational. DC calibration is guaranteed if the Enhanced Accuracy feature is exercised while the plug-in unit is installed on the 067-1261-00 Flexible Extender. Degradation of bandwidth and transient response (i.e., rise time and aberration) of Display, Trigger, and Auxiliary Trigger outputs and inputs will be evident.

### TYPICAL CONFIGURATIONS

One plug-in unit per Flexible Extender per Left, Center, or Right plug-in compartment per oscilloscope mainframe.

NO.	062-8894-00
DATE	JUNE 1986

COPYRIGHT © 1986  
 TEKTRONIX INC.  
 ALL RIGHTS RESERVED

Fig. & Index No.	Tektronix Part No.	Serial/Assembly No. Effective Dscont	Qty	12345 Name & Description	Mfr. Code	Mfr. Part No.
1-1	334-6647-00		1	LABEL:1.315 X 2.125	80009	334-6647-00
-2	200-3282-00		1	COVER,CONN: (ATTACHING PARTS)	80009	200-3282-00
-3	211-0394-00		2	SCREW,MACHINE:4-40 X 0.875,PNH,STL CO PL	80009	211-0394-00
-4	361-0020-00		2	INSULATOR,MSHR:0.156 ID X 0.3 00 X 0.78	80009	361-0020-00
-5	210-0586-00		2	NUT,PL,ASSEM MA:4-40 X 0.25,STL CO PL (END ATTACHING PARTS)	78189	211-041800-00
-6	105-0991-00		2	LATCH,EXTENDER:BLUE POLYCARBONATES (ATTACHING PARTS)	80009	105-0991-00
-7	211-0302-00		2	SCR,ASSEM WSHR:4-40 X 0.75,PNH,STL,TORX OR	01536	ORDER BY DESCR
-8	210-0586-00		2	NUT,PL,ASSEM MA:4-40 X 0.25,STL CO PL (END ATTACHING PARTS)	78189	211-041800-00
-9	200-3155-00		2	COVER,CONN:0.768 L,BLUE POLYCARBONATE	80009	200-3155-00
-10	131-3544-00		1	CONN,RCPT,ELEC:HEADER,2 X 38 (ATTACHING PARTS)	80009	131-3544-00
-11	211-0304-00		3	SCR,ASSEM WSHR:4-40X0.312,PNH,STL,T9 TORX	01536	ORDER BY DESCR
-12	213-0984-00		2	SCREW,TPG,TR:2-28 X 0.312 PNH,STL (END ATTACHING PARTS)	80009	213-0984-00
-13	337-1064-12		2	SHIELD,ELEC:SIDE FOR PLUG-IN UNIT	80009	337-1064-12
-14	366-1058-00		1	KNOB:GRAY,0.625 X 0.255 X 0.485	80009	366-1058-00
-15	214-1095-00		1	PIN,SPRING:0.187 L X 0.094 00,STL,CD PL	22599	52-022-094-0187
-16	105-0076-04		1	RELEASE BAR,LCH:PLUG-IN UNIT	80009	105-0076-04
-17	214-1280-00		1	SPRING,HLCP5:0.14 0D X 1.126 L,TWIST LOOP, MUSIC WIRE	80009	214-1280-00
-18	214-1054-00		1	SPRING,FLAT:0.825 X 0.322,SST	80009	214-1054-00
-19	105-0075-00		1	BOLT,LATCH:	80009	105-0075-00
-20	426-2061-00		1	FR SECT,PLUG-IN:LOMER,ALUMINUM (ATTACHING PARTS)	80009	426-2061-00
-21	211-0392-00		2	SCREW,MACHINE:4-40 X 0.25,FLH,82 DEG,STL (END ATTACHING PARTS)	80009	211-0392-00
-22	343-1276-00		1	CLAMP,CABLE:4.15 X 0.375,ALUMINUM (ATTACHING PARTS)	80009	343-1276-00
-23	211-0304-00		2	SCR,ASSEM WSHR:4-40X0.312,PNH,STL,T9 TORX (END ATTACHING PARTS)	01536	ORDER BY DESCR
-24	386-5402-00		1	SUPPORT,CABLE:4.2 X 0.5,ALUMINUM (ATTACHING PARTS)	80009	386-5402-00
-25	211-0392-00		3	SCREW,MACHINE:4-40 X 0.25,FLH,82 DEG,STL (END ATTACHING PARTS)	80009	211-0392-00
-26	214-1061-00		1	CONTACT,ELEC:GROUNDING,CU BE	80009	214-1061-00
-27	334-3438-00		1	MARKER,IDENT:MARKED TURN OFF POWER	80009	334-3438-00
	253-0176-00		8	TAPE,PRESS SENS:VINYL FOAM,0.5 X 0.062,	85471	ORDER BY DESCR
-28	426-2060-00		1	FR SECT,PLUG-IN:UPPER,ALUMINUM (ATTACHING PARTS)	80009	426-2060-00
-29	211-0392-00		2	SCREW,MACHINE:4-40 X 0.25,FLH,82 DEG,STL (END ATTACHING PARTS)	80009	211-0392-00
-30	343-1276-00		1	CLAMP,CABLE:4.15 X 0.375,ALUMINUM (ATTACHING PARTS)	80009	343-1276-00
-31	211-0304-00		2	SCR,ASSEM WSHR:4-40X0.312,PNH,STL,T9 TORX (END ATTACHING PARTS)	01536	ORDER BY DESCR
-32	220-0022-00		4	NUT BLOCK:0.4 X 0.25 X 0.33,4-40 THRU (ATTACHING PARTS)	80009	220-0022-00
-33	211-0304-00		4	SCR,ASSEM WSHR:4-40X0.312,PNH,STL,T9 TORX (END ATTACHING PARTS)	01536	ORDER BY DESCR
-34	386-5296-00		1	PANEL,REAR: (ATTACHING PARTS)	80009	386-5296-00
-35	213-0904-00		4	SCREW,TPG,TR:6-32 X 0.5,PNH,STL (END ATTACHING PARTS)	83385	ORDER BY DESCR
				STANDARD ACCESSORIES		
	062-8894-00		1	DATA SHEET:067-1261-00 FLEX EXTENDER	80009	062-8894-00

## CROSS INDEX - MFR. CODE NUMBER TO MANUFACTURER

Mfr. Code	Manufacturer	Address	City, State, Zip Code
01536	TEXTRON INC CAMCAR DIV SEMS PRODUCTS UNIT	1818 CHRISTINA ST	ROCKFORD IL 61108
22599	AMERACE CORP ESNA DIV	15201 BURBANK BLVD SUITE C	VAN NUYS CA 91411
78189	ILLINOIS TOOL WORKS INC SHAKEPROOF DIVISION	ST CHARLES ROAD	ELGIN IL 60120
80009	TEKTRONIX INC	4900 S W GRIFFITH OR P O BOX 500	BEAVERTON OR 97077
83385	MICRODOT MANUFACTURING INC GREER-CENTRAL DIV	3221 W BIG BEAVER RD	TROY MI 48098
85471	BOYD INDUSTRIAL RUBBER DIV OF A B BOYD CO	2527 GRANT AVE	SAN LEANDRO CA 94579