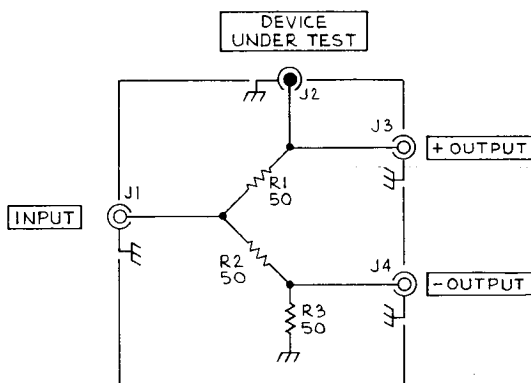
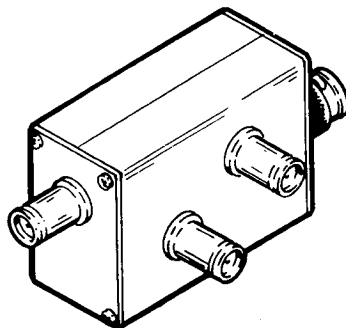


## 50 OHM BRIDGE

Part No. 067-0875-00



The 067-0875-00 calibration fixture provides a convenient, accurate means to check and/or adjust any 50 $\Omega$  load. It is commonly used in the calibration procedures of Tektronix instruments such as the 485, 7A19, 7A24 and 7A29 to check or adjust the low frequency input impedance to 50 $\Omega$ .

### INSTRUCTIONS

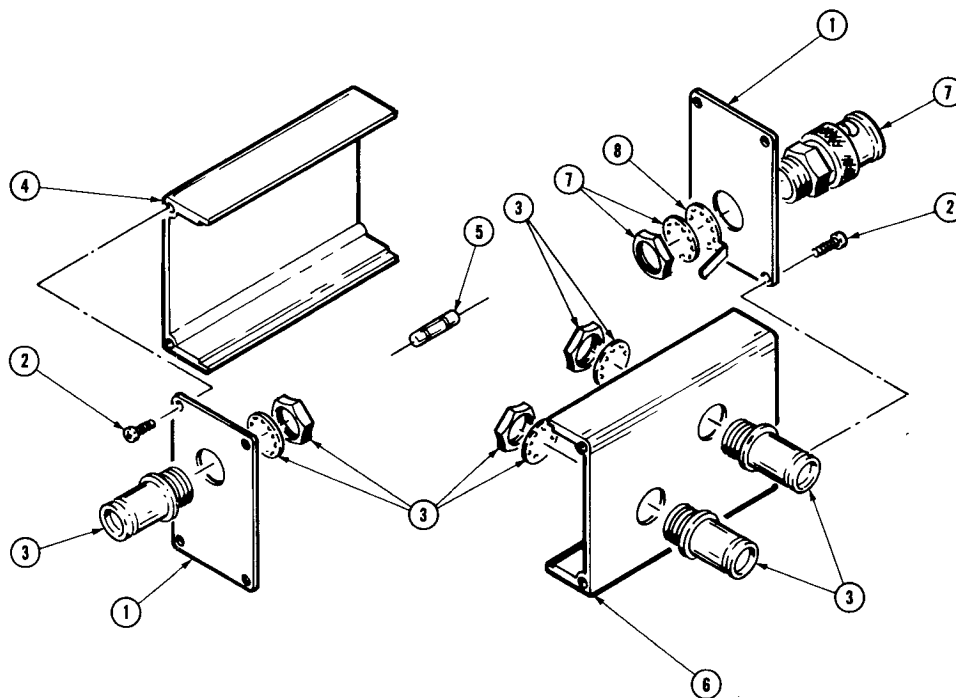
1. Connect a 400 mV (open circuit) square wave of 50 $\Omega$  source impedance (the 400 mV calibrator on the Tektronix 7313, 7603, 7613, 7623A, 7633, 7704A, and 7904 oscilloscopes)\* to the 067-0875-00 connector marked INPUT.
2. Connect the + OUTPUT and - OUTPUT connectors to the + INPUT and - INPUT of a differential amplifier such as the Tektronix 7A13 or 7A22.
3. Connect the instrument being measured to the 067-0875-00 DEVICE UNDER TEST connector.

Under these conditions, the instrument being tested has an input of 100 mV, and the differential amplifier has an input of 1 mV per ohm deviation from the ideal 50  $\Omega$  with an accuracy of 0.25  $\Omega$ .

External triggering may be used to determine if the load is greater than or less than 50  $\Omega$  if so desired.

\*With the Tektronix 7104 and 7834 connect the 4 Volt calibrator output to the 067-0875-00 through a X2 50 Ohm attenuator (011-0069-02). With the Tektronix 485 connect the calibrator output to the 067-0875-00 through a X2.5 50 Ohm attenuator (011-0076-02).

067-0875-00



REPLACEABLE PARTS LIST

Fig. & Index No.	Tektronix Part No.	Serial/Model No. Eff	Dscont	Qty	1	2	3	4	5	Name & Description	Mfr Code	Mfr Part Number
-1	386-4024-00			2	PLATE END: (ATTACHING PARTS FOR EACH)					80009	386-4024-00	
-2	211-0022-00			4	SCREW, MACHINE: 2-56 X 0.188 INCH, PNH STL					83385	OBD	
-3	131-0955-01			3	CON, RCPT, ELEC: BNC, FEMALE, MODIFIED					80009	131-0955-01	
-4	380-0473-00			1	HSG HALF, XFMR: LEFT					80009	380-0473-00	
-5	321-0771-03			3	RES., FXD, FILM: 50 OHM, 0.25%, 0.125W					91637	MFF1816D50R00C	
-6	380-0557-01			1	HSG HALF, TEST E: LEFT					80009	380-0557-01	
-7	131-2004-00			1	CONN, RCPT, ELEC: BNC, MALE					24931	OBD	
-8	210-0255-00			1	TERMINAL, LUG: 0.391" ID INT TOOTH					80009	210-0255-00	
STANDARD ACCESORIES												
	062-3795-00			1	DATA SHEET: 067-0875-00					80009	062-3795-00	

CROSS INDEX—MFR. CODE NUMBER TO MANUFACTURER

Mfr. Code	Manufacturer	Address	City, State, Zip
24931	SPECIALTY CONNECTOR CO., INC.	3560 MADISON AVE.	INDIANAPOLIS, IN 46227
80009	TEKTRONIX, INC.	P O BOX 500	BEAVERTON, OR 97077
83385	CENTRAL SCREW CO.	2530 CRESCENT DR.	BROADVIEW, IL 60153
91637	DALE ELECTRONICS, INC.	P O BOX 609	COLUMBUS, NE 68601