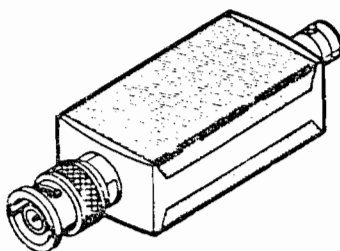


## 50 OHM COAXIAL TERMINATION

Part No. 011-0129-00



### SPECIFICATIONS

#### ELECTRICAL

Input Resistance:	50 ohms $\pm$ 0.1%
Input Voltage:	11 V RMS maximum (not to exceed 40 V peak). See Fig. 1 power/voltage versus frequency derating.
Power Dissipation:	See Fig. 1 power/voltage versus frequency derating.
Impedance Deviation from 50 ohm, $ Z  - 50 \Omega$ — X 100: 50 $\Omega$	See Fig. 2 impedance deviation versus frequency curve for 100 kHz to 100 MHz.

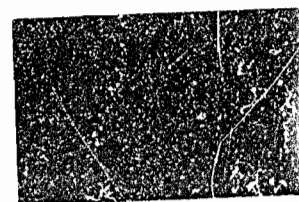
#### ENVIRONMENTAL

Temperature (Operating):	0° C to +50° C
Altitude (Operating):	15,000 feet

#### PHYSICAL

Dimensions:	Length — 3.5 inches (8.9 cm) Width — 0.7 inches (1.9 cm) Height — 1.1 inches (2.8 cm)
Weight:	1.73 ounces (49 grams)

062-3133-00  
Jan 1980 (R)



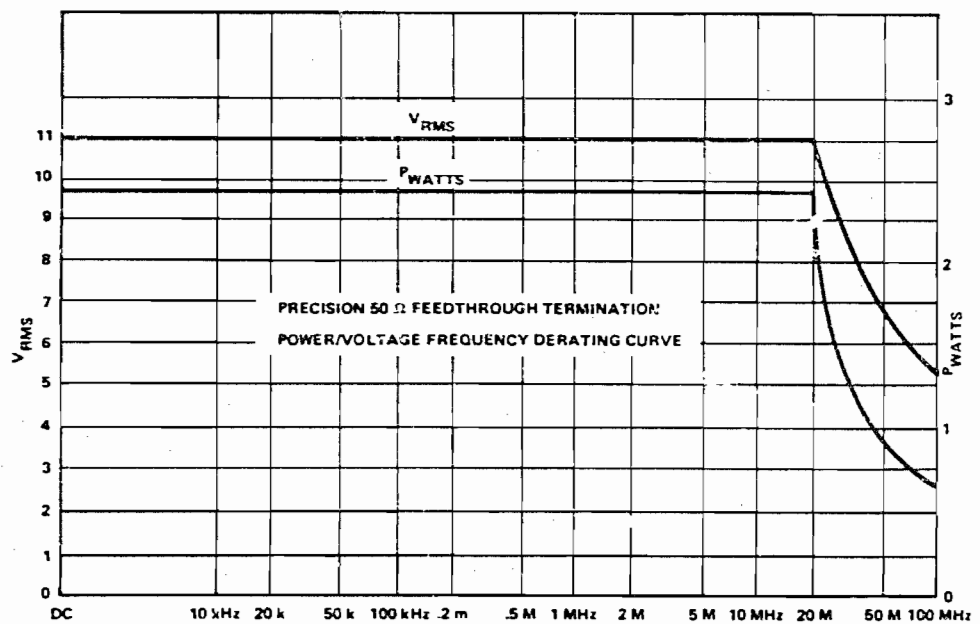


Fig. 1. Power/Voltage Versus Frequency Derating.

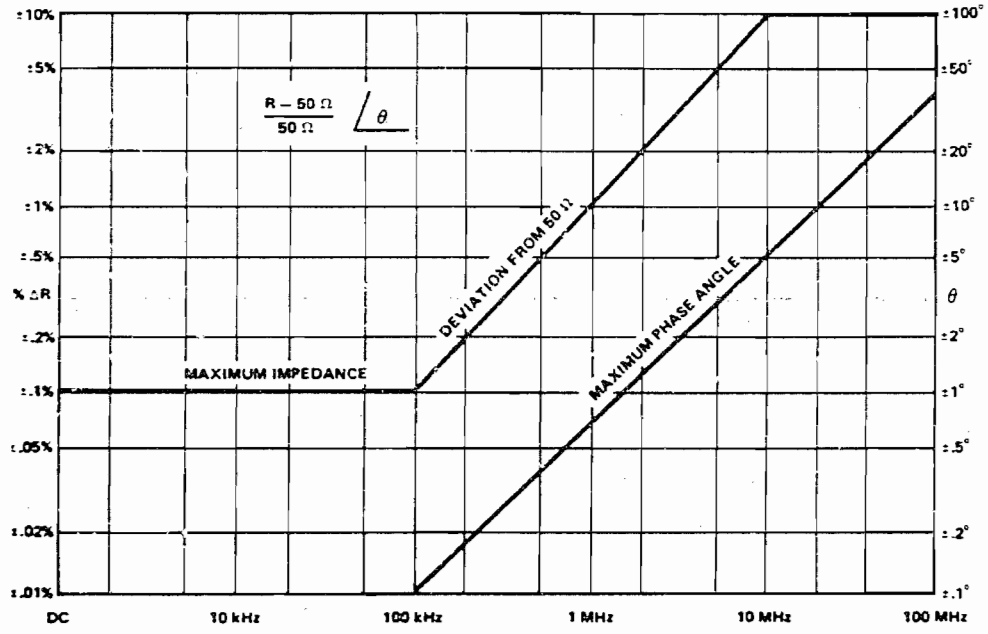
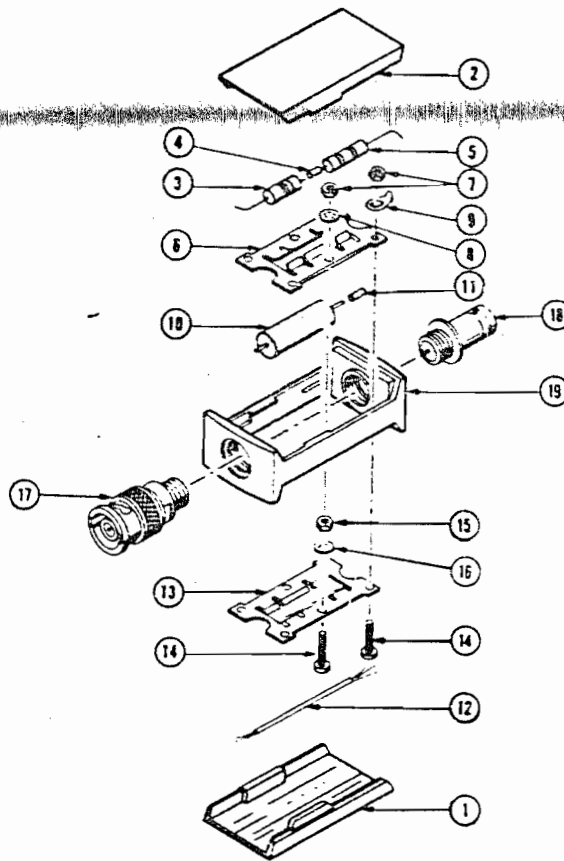


Fig. 2. Impedance Deviation Versus Frequency.

2



REPLACEABLE PARTS LIST

Fig. & Index No.	Tektronix Part No.	Serial/Model No. Eff	Dscont	Qty	1	2	3	4	5	Name & Description	Mfr Code	Mfr Part Number
	011-0129-00			1						TERM, COAXIAL: 50 OHM, PRECISION	80009	011-0129-00
-1	200-0851-02			1						COVER, COAX TERM:	80009	200-0851-02
-2	200-0851-38			1						COVER, COAX TERM:	50009	200-0851-38
-3	281-0765-00			1						CAP., FXD, CER DI: 100PF, 5%, 100V (C12)	72982	314022X5P010LJ
-4	-----			FT						INSUL, SLVG, ELEC: 0.076 ID, VINYL BLK, 0.042'		
-5	323-0074-00			1						RES., FXD, FILM: 57.6 OHM, 1%, 0.50W (R12)	75042	CECT0-57R60F
-6	214-2597-00			1						HEAT SINK, RES:	80009	214-2597-00
										(ATTACHING PARTS)		
-7	220-0627-00			6						NUT, PLAIN, HEX.: 2-56 X 0.156 INCH, BRS	73743	10002-56-101
-8	210-0001-00			5						WASHER, LOCK: INTL, 0.092 ID X 0.18" OD, STL	78189	1202-00-00-0541C
-9	210-0259-00			1						TERMINAL, LUG: 0.099" ID INT TOOTH, SE	80009	210-0259-00
										-----*		
-10	308-0798-00			1						RES., FXD, WW: 50 OHM, 0.02%, 5W (R10)	91637	N55-47
-11	-----			FT						INSUL SLVG, ELEC: HT SHRINK, 0.165 ID, 0.016'		
-12	175-0514-00			FT						WIRE ELEC: 1.875"	80009	175-0514-00
-13	214-2597-00			1						HEAT SINK, RES:	80009	214-2597-00
										(ATTACHING PARTS)		
-14	211-0062-00			6						SCREW, MACHINE: 2-56 X 0.312 INCH, RDH STL	83385	OBD
-15	220-0627-00			4						NUT, PLAIN, HEX.: 2-56 X 0.156 INCH, BRS	73743	10002-56-101
-16	210-0001-00			4						WASHER, LOCK: INTL, 0.092 ID X 0.18" OD, STL	78189	1202-00-00-0541C
	210-0259-00			1						TERMINAL, LUG: 0.099" ID INT TOOTH, SE	80009	210-0259-00
										-----*		
-17	131-0602-00			1						CONNECTOR, RCPT.: BNC, FEMALE	80005	131-0602-00
-18	131-0106-02			1						CONNECTOR, RCPT.: BNC	80009	131-0106-02
-19	426-0423-03			1						FRAME, COAX TERM:	80009	426-0423-03

STANDARD ACCESSORIES

062-3133-00	1	DATA SHEET: 011-0129-00	80009	062-3133-00
-------------	---	-------------------------	-------	-------------

## CROSS INDEX—MFR. CODE NUMBER TO MANUFACTURER

Mfr. Code	Manufacturer	Address	City, State, Zip
72982	ERIE TECHNOLOGICAL PRODUCTS, INC.	644 W 12TH STREET	ERIE, PA 16512
73743	FISCHER SPECIAL MFG. COMPANY	446 MORGAN STREET	CINCINNATI, OH 45206
75042	TRW ELECTRONIC COMPONENTS, IRC FIXED RESISTORS, PHILADELPHIA DIVISION	401 N BROAD STREET	PHILADELPHIA, PA 19108
78189	ILLINOIS TOOL WORKS, INC. SHAKEPROOF DIVISION	ST. CHARLES ROAD	ELGIN, IL 60120
80009	TEKTRONIX, INC.	PO BOX 500	BEAVERTON, OR 97977
83385	CENTRAL SCREW COMPANY	2530 CRESCENT DRIVE	BROADVIEW, IL 60153
91637	DALE ELECTRONICS, INC.	PO BOX 609	COLUMBUS, NE 68601

